

THIS DRAWING AND THE DATA DISCLOSED HEREIN OR HEREWITH IS NOT TO BE REPRODUCED USED OR DISCLOSED IN WHOLE OR IN PART TO ANYONE WITHOUT THE PERMISSION OF JESS-LINK PRODUCTS CO.,LTD.(JPC)

CUSTOMER DRAWING
DRWC-000XXX

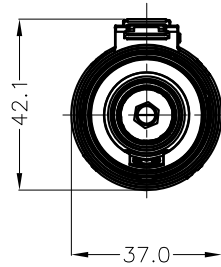
REV.	ECN NO.	DESCRIPTION	MDF'D	APP'D	DATE
01		INITIAL DESIGN	Denghong	Richard	07/06/2023

Standard part List(WITH HVIL)
產品型號表(帶護鎖)

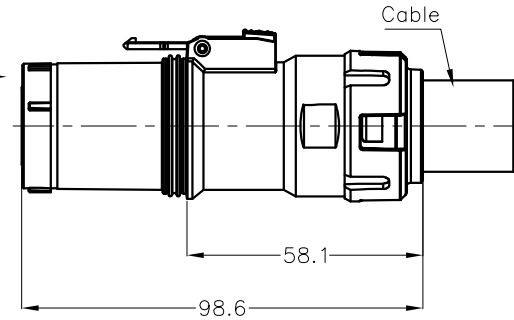
Model No.	Accepted Wire OD
TL18X-501-95	20.6 ~ 21.1
TL18Y-501-95	
TL18U-501-95	
TL18V-501-95	
TL18W-501-95	
TL18T-501-95	
TL18X-501-120	22.4 ~ 22.9
TL18Y-501-120	
TL18U-501-120	
TL18V-501-120	
TL18W-501-120	
TL18T-501-120	
TL18X-501-135	23.3 ~ 23.8
TL18Y-501-135	
TL18U-501-135	
TL18V-501-135	
TL18W-501-135	
TL18T-501-135	

Standard part List(WITHOUT HVIL)
產品型號表(不帶護鎖)

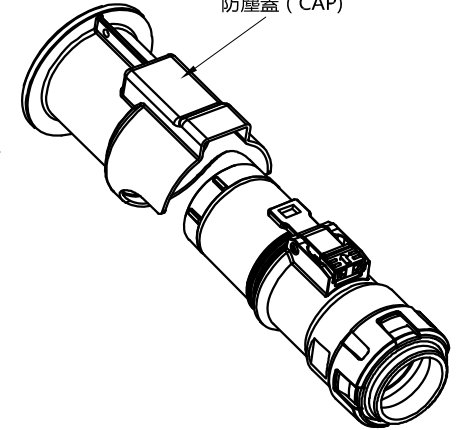
Model No.	Accepted Wire OD
TL18X-500-95	20.6 ~ 21.1
TL18Y-500-95	
TL18U-500-95	
TL18V-500-95	
TL18W-500-95	
TL18T-500-95	
TL18X-500-120	22.4 ~ 22.9
TL18Y-500-120	
TL18U-500-120	
TL18V-500-120	
TL18W-500-120	
TL18T-500-120	
TL18X-500-135	23.3 ~ 23.8
TL18Y-500-135	
TL18U-500-135	
TL18V-500-135	
TL18W-500-135	
TL18T-500-135	



M方向



防塵蓋 (CAP)



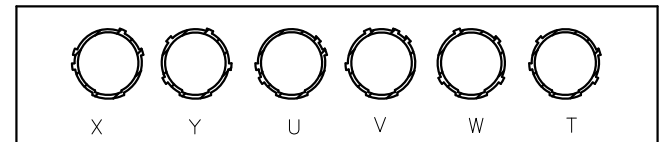
NOTE :

- 1.工作溫度Operating temperature : -40~125°C;
- 2.帶高壓互鎖Electrical interlock(HVIL).
- 3.額定電流Current rating:500A;HVIL:5A;
- 4.額定電壓Operating voltage:Power1000VDC; Signal:60VDC;
- 5.耐電壓Dielectric withstanding voltage:
 - A.与插头对插后, Pin与铁壳之间:After matting,between Pin and metal shell:5000 VDC.
 - B.与插头对插后, Pin与HVIL之间:After matting,between Pin and HVIL:5000 VDC.
 - C.与插头对插后, HVIL与铁壳之间:After matting,between HVIL and metal shell:500 VDC.
 - D.与插头对插前, 两个HVIL端子之间耐压:Before matting,between two HVIL :500 VDC.
- 6.防護等級Protection class:IP68(24H),IP6K9K;Mated condition.
- 7.電磁屏蔽Shielding
- 8.機械壽命Mating cycle:100Min.
- 9.帶自動二次鎖扣 Automatic secondary lock.
- 10.配對插座Mating receptacle:See drawing "TL00X-500/501-10/20XXX"

訂購信息 Ordering Information

TL18 X	-	501	-	120
鍵位及顏色 Key&Color		高壓互鎖 HVIL		線纜大小 Cable Size
"X" 橙色 Orange		0,不帶互鎖 No HVIL		"95"=95mm ²
"Y" 黑色 Black		1,帶互鎖 With HVIL		"120"=120mm ²
"U" 黃色 Yellow				"135"=135mm ²
"V" 綠色 Green				
"W" 紅色 Red				
"T" 藍色 Blue				

M方向鍵位示意圖



RoHS COMPLIANT	HALOGEN FREE	Unit : mm	PROJECTION	ZCables.com		PD./FILE NO.	
		GENERAL TOLERANCES: (UNLESS SPECIFIED)	D.R. 07/06/2023 Denghong	TITLE	TL18(X)-500(1)-XXX		
		0 = ±.50 0.0 = ±.25 0.00 = ±.15 0.000 = ±.05 0' = ± 2' 0.0' = ± 1'	CH.K	SCALE		SIZE	PART NO.
			APV.D	1:1	A4	See Notes	SHEET 1 OF 1