

THIS DRAWING AND THE DATA DISCLOSED HEREIN OR HEREWITH IS NOT TO BE REPRODUCED USED OR DISCLOSED IN WHOLE OR IN PART TO ANYONE WITHOUT THE PERMISSION OF JESS-LINK PRODUCTS CO.,LTD.(JPC)

CUSTOMER DRAWING  
DRWC-000XXX

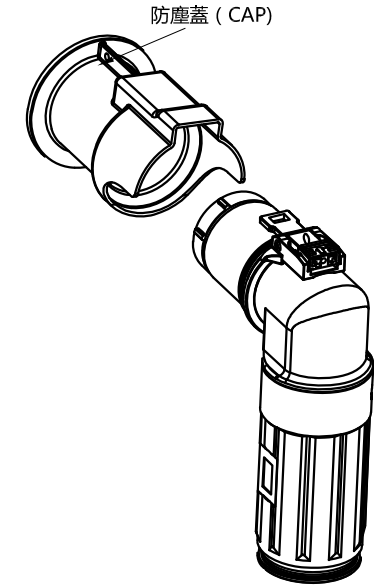
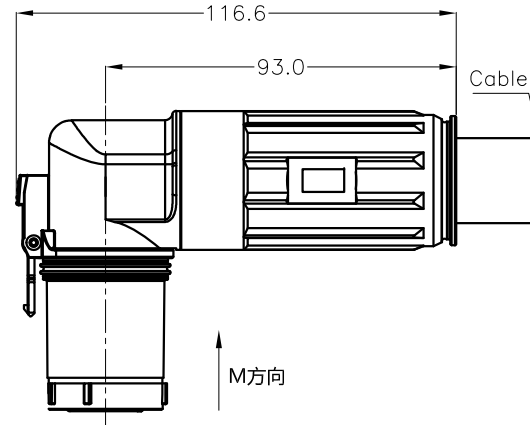
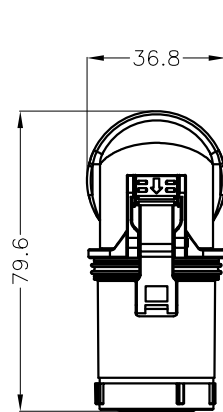
REV.	ECN NO.	DESCRIPTION	MDF'D	APP'D	DATE
01		INITIAL DESIGN	Denghong	Richard	07/06/2023

Standard part List(WITH HVIL)  
產品型號表(帶護鎖)

Model No.	Accepted Wire OD
TL28X-501-95	20.6 ~ 21.1
TL28Y-501-95	
TL28U-501-95	
TL28V-501-95	
TL28W-501-95	
TL28T-501-95	
TL28X-501-120	22.4 ~ 22.9
TL28Y-501-120	
TL28U-501-120	
TL28V-501-120	
TL28W-501-120	
TL28T-501-120	
TL28X-501-135	23.3 ~ 23.8
TL28Y-501-135	
TL28U-501-135	
TL28V-501-135	
TL28W-501-135	
TL28T-501-135	

Standard part List(WITHOUT HVIL)  
產品型號表(不帶護鎖)

Model No.	Accepted Wire OD
TL28X-500-95	20.6 ~ 21.1
TL28Y-500-95	
TL28U-500-95	
TL28V-500-95	
TL28W-500-95	
TL28T-500-95	
TL28X-500-120	22.4 ~ 22.9
TL28Y-500-120	
TL28U-500-120	
TL28V-500-120	
TL28W-500-120	
TL28T-500-120	
TL28X-500-135	23.3 ~ 23.8
TL28Y-500-135	
TL28U-500-135	
TL28V-500-135	
TL28W-500-135	
TL28T-500-135	



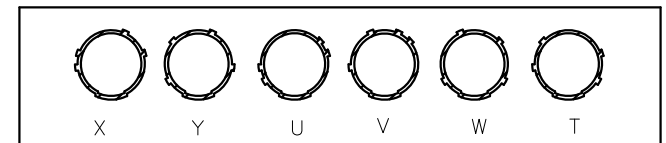
NOTE :

- 1.工作溫度Operating temperature : -40~125°C;
- 2.帶高壓互鎖Electrical interlock(HVIL).
- 3.額定電流Current rating:500A;HVIL:5A;
- 4.額定電壓Operating voltage:Power1000VDC; Signal:60VDC;
- 5.耐電壓Dielectric withstanding voltage:
  - A.与插头对插后, Pin与铁壳之间:After matting,between Pin and metal shell:5000 VDC.
  - B.与插头对插后, Pin与HVIL之间:After matting,between Pin and HVIL:5000 VDC.
  - C.与插头对插后, HVIL与铁壳之间:After matting,between HVIL and metal shell:500 VDC.
  - D.与插头对插前, 两个HVIL端子之间耐压:Before matting,between two HVIL :500 VDC.
- 6.防護等級Protection class:IP68(24H),IP6K9K;Mated condition.
- 7.電磁屏蔽Shielding
- 8.機械壽命Mating cycle:100Min.
- 9.帶自動二次鎖扣 Automatic secondary lock.
- 10.配對插座Mating receptacle:See drawing "TL00X-500/501-10/20XXX"

訂購信息 Ordering Information

TL28 X	-	501	-	120
鍵位及顏色 Key&Color		高壓互鎖 HVIL		線纜大小 Cable Size
"X" 橙色 Orange		0,不帶互鎖 No HVIL		"95"=95mm <sup>2</sup>
"Y" 黑色 Black		1,帶互鎖 With HVIL		"120"=120mm <sup>2</sup>
"U" 黃色 Yellow				"135"=135mm <sup>2</sup>
"V" 綠色 Green				
"W" 紅色 Red				
"T" 藍色 Blue				

M方向鍵位示意圖



RoHS COMPLIANT	HALOGEN FREE	Unit : mm	PROJECTION	ZCables.com	
		GENERAL TOLERANCES: (UNLESS SPECIFIED)	D.R. 07/06/2023 Denghong	TITLE	PD./FILE NO.
		0 = ±.50	CH.K	TL28(X)-500(1)-XXX	
		0.0 = ±.25	APV.D	SCALE 1:1	SIZE A4
0.00 = ±.15		PART NO.	REV. 01		
0.000 = ±.05		See Notes	SHEET 1 OF 1		
0 = ± 2'					
0.0 = ± 1'					