

THIS DRAWING AND THE DATA DISCLOSED HEREIN OR HEREWITH IS NOT TO BE REPRODUCED USED OR DISCLOSED IN WHOLE OR IN PART TO ANYONE WITHOUT THE PERMISSION OF JESS-LINK PRODUCTS CO.,LTD.(JPC)

CUSTOMER DRAWING
DRWC-000557

REV.	ECN NO.	DESCRIPTION	MDF'D	APP'D	DATE
01		INITIAL DESIGN	Denghong	Richard	07/06/2023

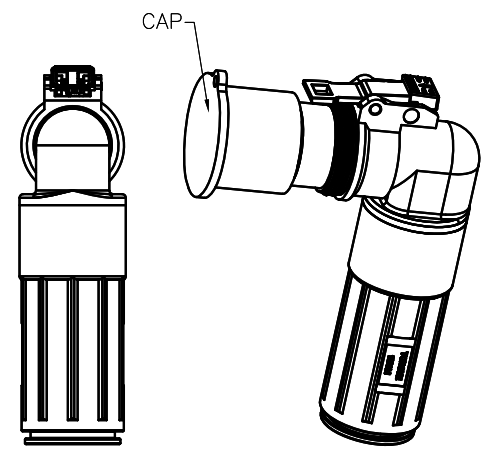
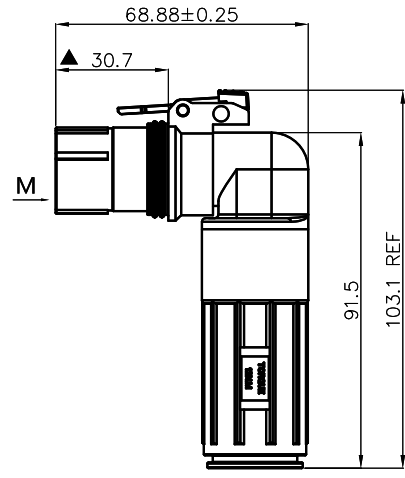
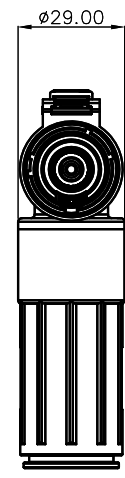
A
B
C
D
E
F

Standard part List(WITH HVIL)
產品型號表(帶護鎖)

Standard part List(WITHOUT HVIL)
產品型號表(不帶護鎖)

Model No.	JPC No.	Accepted Wire OD
TL28X-301-35	PCNTC112RC78-1	14.5±0.5
TL28Y-301-35	PCNTC212RC78-1	
TL28U-301-35	PCNTC312RC78-1	
TL28V-301-35	PCNTC412RC78-1	
TL28W-301-35	PCNTC512RC78-1	
TL28T-301-35	PCNTC612RC78-1	17.0±0.5
TL28X-301-50	PCNTC113RC78-1	
TL28Y-301-50	PCNTC213RC78-1	
TL28U-301-50	PCNTC313RC78-1	
TL28V-301-50	PCNTC413RC78-1	
TL28W-301-50	PCNTC513RC78-1	
TL28T-301-50	PCNTC613RC78-1	19.5±0.5
TL28X-301-70	PCNTC114RC78-1	
TL28Y-301-70	PCNTC214RC78-1	
TL28U-301-70	PCNTC314RC78-1	
TL28V-301-70	PCNTC414RC78-1	
TL28W-301-70	PCNTC514RC78-1	
TL28T-301-70	PCNTC614RC78-1	

Model No.	JPC No.	Accepted Wire OD
TL28X-300-35	PCNTC102RC78-1	14.5±0.5
TL28Y-300-35	PCNTC202RC78-1	
TL28U-300-35	PCNTC302RC78-1	
TL28V-300-35	PCNTC402RC78-1	
TL28W-300-35	PCNTC502RC78-1	
TL28T-300-35	PCNTC602RC78-1	17.0±0.5
TL28X-300-50	PCNTC103RC78-1	
TL28Y-300-50	PCNTC203RC78-1	
TL28U-300-50	PCNTC303RC78-1	
TL28V-300-50	PCNTC403RC78-1	
TL28W-300-50	PCNTC503RC78-1	
TL28T-300-50	PCNTC603RC78-1	19.5±0.5
TL28X-300-70	PCNTC104RC78-1	
TL28Y-300-70	PCNTC204RC78-1	
TL28U-300-70	PCNTC304RC78-1	
TL28V-300-70	PCNTC404RC78-1	
TL28W-300-70	PCNTC504RC78-1	
TL28T-300-70	PCNTC604RC78-1	



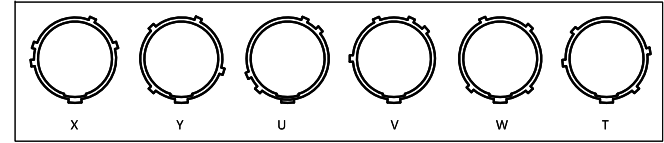
Ordering Information
訂購信息

TL28 X - 301 - 70

鍵位及顏色 Key&Color "X" 橙色 Orange "Y" 黑色 Black "U" 黃色 Yellow "V" 綠色 Green "W" 紅色 Red "T" 藍色 Blue	高壓互鎖 HVIL 0,不帶互鎖 No HVIL 1,帶互鎖 With HVIL	線纜大小 Cable Size "35"=35mm ² "50"=50mm ² "70"=70mm ²
--	--	---

- NOTE :
- 工作溫度 Operating temperature : -40~125°C;
 - 額定電流 Current rating: 250A(Cross-sectional area is 70mm²); HVIL: 5A; 200A(Cross-sectional area is 50mm²); HVIL: 5A; 150A(Cross-sectional area is 35mm²); HVIL: 5A;
 - 額定電壓 Operating voltage: Power 1000VDC; Signal: 60VDC;
 - 耐電壓 Dielectric withstanding voltage: 5000 VDC;
 - 絕緣阻抗 Insulation resistance : 500MΩ Min.
 - 防護等級 Protection class: IP67 & IP2X.
 - 電磁屏蔽 Shielding
 - 機械壽命 Mating cycle: 500 Min.
 - 帶自動二次鎖扣 Automatic secondary lock.
 - 帶高壓互鎖 Electrical interlock (HVIL).
 - 配對插座 Mating receptacle: See drawing "PCNTC113RC79-1"

M方向鍵位示意圖



RoHS COMPLIANT	HALOGEN FREE	Unit : mm	PROJECTION	ZCables.com		PD./FILE NO.
		GENERAL TOLERANCES: (UNLESS SPECIFIED)	D.R. 07/06/2023 Denghong			
		0 = ±.50 0.0 = ±.25 0.00 = ±.15 0.000 = ±.05 0' = ±.2' 0.0' = ±.1'	CH.K	TITLE	TL300 1POS PLUG RA TYPE	C20C0020A
		APV.D	SCALE	SIZE		
		1:1	A4	PCNTC112RC78-1	SHEET 1 OF 1	