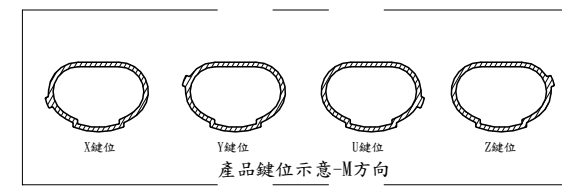
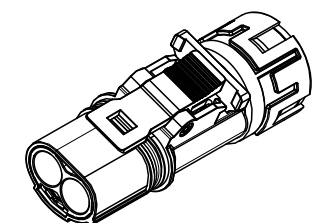
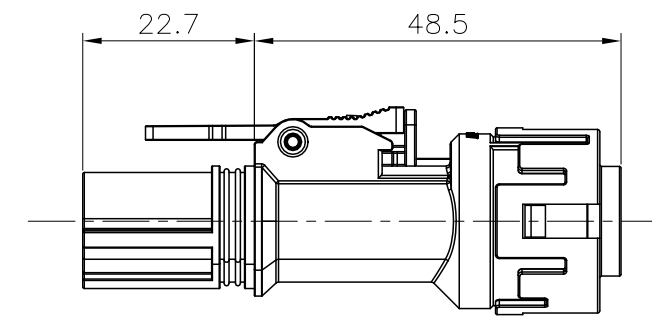
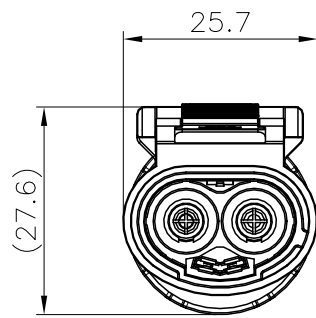
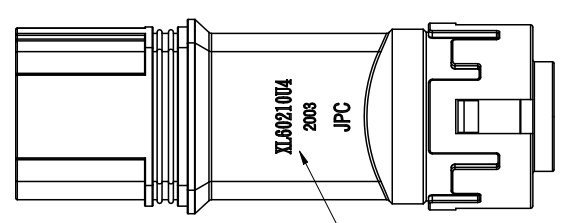


1	2	3	4	5	6	7	8				
THIS DRAWING AND THE DATA DISCLOSED HEREIN OR HEREWITH IS NOT TO BE REPRODUCED USED OR DISCLOSED IN WHOLE OR IN PART TO ANYONE WITHOUT THE PERMISSION OF JESS-LINK PRODUCTS CO.,LTD.(JPC)				CUSTOMER DRAWING DRWC-000484		REV.	ECN NO.	DESCRIPTION	MDF'D	APP'D	DATE
						01		INITIAL DESIGN	Brady	Richard	11/04/2020
						02					
						03					



M方向



Standard Part List(Without HVIL)

Model No.	Accepted Wire Size
PHVXL60210X4-0	4mm ² 屏蔽線纜 (ø10.8-11.1mm)
PHVXL60210Y4-0	
PHVXL60210U4-0	
PHVXL60210Z4-0	6mm ² 屏蔽線纜 (ø12.2-12.5mm)
PHVXL60210X6-0	
PHVXL60210Y6-0	
PHVXL60210U6-0	
PHVXL60210Z6-0	

Standard Part List(With HVIL)

Model No.	Accepted Wire Size
PHVXL60211X4-0	4mm ² 屏蔽線纜 (ø10.8-11.1mm)
PHVXL60211Y4-0	
PHVXL60211U4-0	
PHVXL60211Z4-0	6mm ² 屏蔽線纜 (ø12.2-12.5mm)
PHVXL60211X6-0	
PHVXL60211Y6-0	
PHVXL60211U6-0	
PHVXL60211Z6-0	

- NOTES:
- 工作溫度 Operating temperature: -40°C-125°C.
 - 額定電流 Current rating: 40A (Cross-sectional area is 4mm²).
45A (Cross-sectional area is 6mm²).
 - △ The test ambient temperature is 22±1 degrees.
 - 額定電壓 Operating Voltage: 1000 VDC.
 - 耐電壓 Dielectric withstanding Voltage: 5000 VDC.
 - 防護等級 Protection class: IP68(24H), IP6K9K.
 - 電磁屏蔽 Shielding.
 - 機械壽命 Mating cycle: 100 Min.
 - 帶自動二次鎖扣 Automatic secondary lock.
 - 帶高壓互鎖 Electrical interlock (HVIL) (可選)
 - 配對插座 Mating plug: PHVXL6020XXX-0

料號信息 P/N information
PHVXL6021 X X X-0

高壓互鎖 0. 不帶高壓互鎖 1. 帶高壓互鎖	鍵位 "X" "Y" "U" "Z"	線纜大小 "4"=4mm ² "6"=6mm ²
-------------------------------	--------------------------------	--

印字信息

XL60210U4 — 料號信息
YYWW — 生產年月:前兩碼取"年份"後兩碼為"週數"
JPC

RoHS COMPLIANT	Unit: mm(inch)	PROJECTION	ZCables.com		
	GENERAL TOLERANCES: (UNLESS SPECIFIED)	D.R. 11/04/2020	TITLE		PD./FILE NO.
	0 = ±1 (0.039)	Brady	XL60 2POS PLUG CONNECTOR		C19C0007A
	0.0 = ±5 (0.02)	CH.K 11/04/2020	SCALE	SIZE	PART NO.
0.00 = ±3 (0.012)	Albert	1:1	A4	PHVXL6021XXX-0	REV. 01
0.000 = ±15 (0.006)	APV.D 11/04/2020				SHEET 1 OF 1
0° = ±2'	Richard				
0.0° = ±1'					