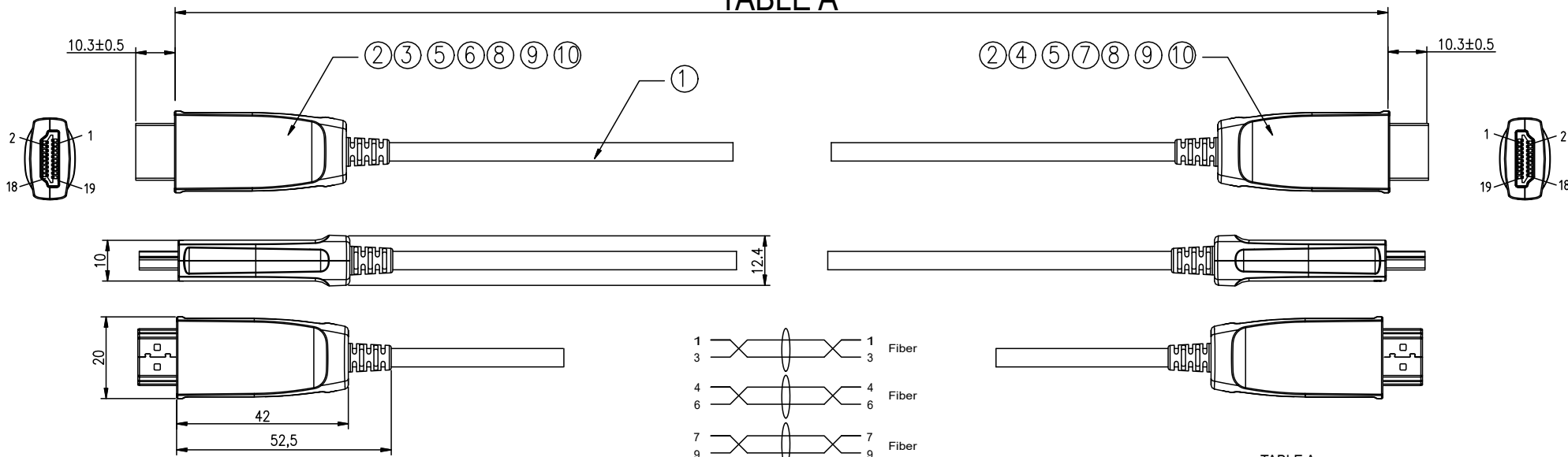


1	2	3	4	5	6	7	8				
THIS DRAWING AND THE DATA DISCLOSED HEREIN OR HEREWITH IS NOT TO BE REPRODUCED USED OR DISCLOSED IN WHOLE OR IN PART TO ANYONE WITHOUT THE PERMISSION OF JESS-LINK PRODUCTS CO.,LTD.(JPC)				CUSTOMER DRAWING DRWC-XXXXXX		REV.	ECN NO.	DESCRIPTION	MDF'D	APP'D	DATE
						01		INITIAL DESIGN	Philip	Richard	07/06/2023
						02					
						03					

TABLE A



NOTES:
 8K@60Hz
 Support 48Gbps
 Support 100M

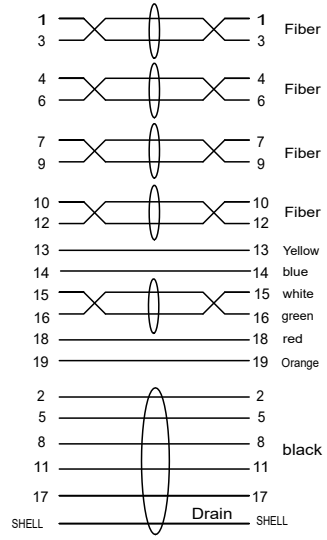


TABLE A

P/N	Length (mm)
PK3H3U00AA01-1	10000±200
PK3H3U00AA01-2	20000±300
PK3H3U00AA01-3	30000±400
PK3H3U00AA01-4	40000±500
PK3H3U00AA01-5	50000±1000
PK3H3U00AA01-6	60000±1000
PK3H3U00AA01-7	70000±1000
PK3H3U00AA01-8	80000±1000
PK3H3U00AA01-9	90000±1000
PK3H3U00AA01-A	100000±1000

10	Screw	4	PCS
9	Wire Spacer	2	PCS
8	Strain Relief	2	PCS
7	HDMI A plug outer shell(lower shell)black(Display)	1	PCS
6	HDMI A plug outer shell(lower shell)black(Source)	1	PCS
5	HDMI A plug outer shell(upper shell)black	2	PCS
4	HDMI A PCBA (Display)	1	PCS
3	HDMI A PCBA (Source)	2	PCS
2	HDMI A Plug Gold Plating	2	PCS
1	HDMI Active Optical Cable< 4 Optical Fiber+7 Electrical cable> black PVC OD:4.5MM	TABLE A	mm
ITEM	DESCRIPTION	Q'TY	UNIT

RoHS COMPLIANT

Unit:mm(inch)	PROJECTION	ZCables.com	
GENERAL TOLERANCES: (UNLESS SPECIFIED)	D.R. 07/06/2023 Philip	TITLE	PD./FILE NO.
0 =±1 (0.039)	CH.K 07/06/2023 Philip	HDMI 2.1 Active Optical Cable , OD 4.5mm	
0.0 =±.5 (0.02)	APV.D 07/06/2023 Richard	SCALE	REV. 01
0.00 =±.3 (0.012)		SIZE	SHEET 1 OF 1
0.000 =±.15(0.006)		PART NO.	
0° =± 2'		PK3H3U00AA01-X	
0.0° =± 1'			