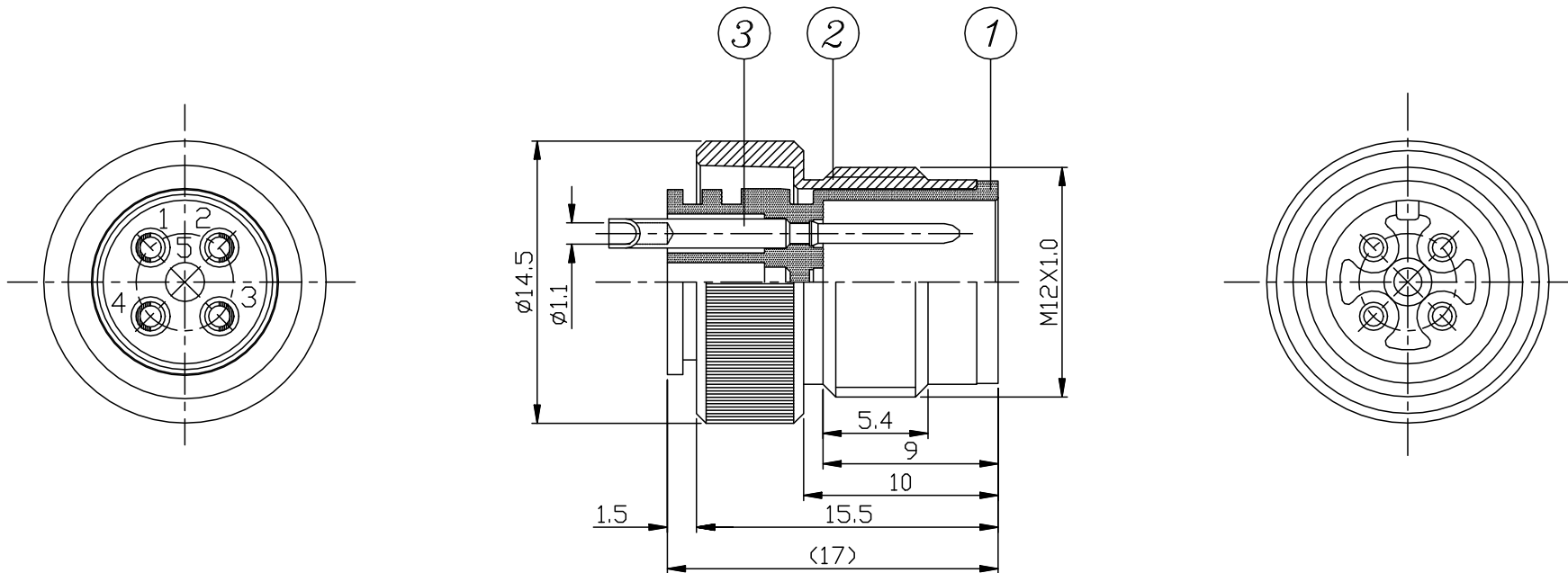


NO	PAT.NO	NAME	MATL	SHT	TREAT	REMARK
1	I-213PXA	INSULATOR	NYLON PA66	1	_____	_____
2	A-146BN-R	CAP	COPPER ALLOY	1	PLATED M-Ni	_____
3	J-148BG-R	CONTACT	COPPER ALLOY	4	PLATED M-Ni	_____

Items	Electrical specifications
Rated current/voltage	AC/DC 5V-5mA min. AC/DC 125V-3A max.
Withstanding voltage	AC 300V(rms) for 1 minute
Insulation resistance	100MΩ min. at DC 500V
Contact resistance	3mΩ max. at DC 1A



RoHS COMPLIANT	Unit:mm(inch)	PROJECTION 	ZCables.com	
	GENERAL TOLERANCES: (UNLESS SPECIFIED)	D.R. 07/13/2023 Philip	TITLE M12 A Code 4 Pin Plug Male	
	0 =±1 (0.039)	CH.K 07/13/2023 Philip		
	0.0 =±.5 (0.02)	APV.D 07/13/2023 Richard	SCALE	SIZE
0.000=±.15(0.006)		1:1	A4	PZAACM12A12041
0° =± 2°				REV. 01
0.0° =± 1°				SHEET 1 OF 1