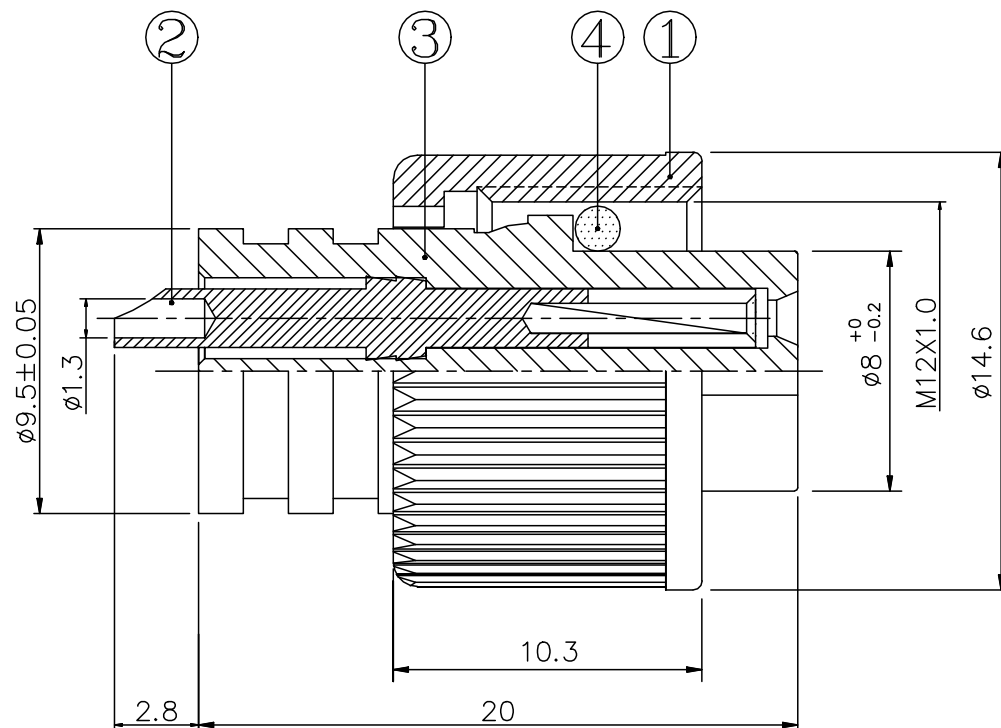
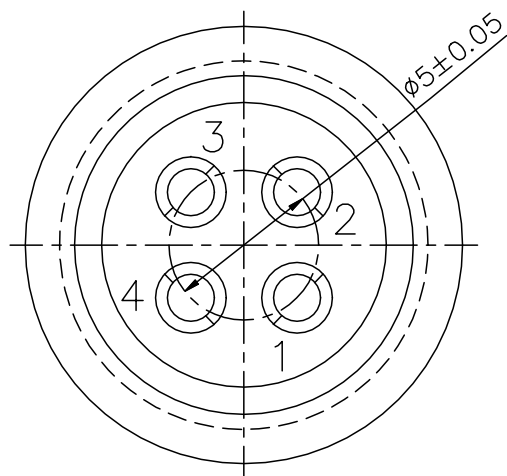


A	NO	PAT.NO	NAME	MATL	SHT	TREAT	REMARK
	1	A-128AM	CAP	AL ALLOY	1	COATING	BLACK
	2	K-090BG-R	CONTACT	COPPER ALLOY	4	PLATED M-Au	
	3	I-218PX	INSULATOR	NYLON	1	94V-0	BLACK
	4	O-041CX	O RING	SILICON	1		BROWN

Items	Electrical specifications
Rated current/voltage	AC/DC 5V-5mA min. AC/DC 125V-3A max.
Withstanding voltage	AC 300V(rms) for 1 minute
Insulation resistance	100M Ω min. at DC 500V
Contact resistance	3m Ω max. at DC 1A



RoHS COMPLIANT	Unit:mm(inch)	PROJECTION	ZCables.com	
	GENERAL TOLERANCES: (UNLESS SPECIFIED)	D.R. 07/13/2023	TITLE	PD./FILE NO.
	0 = ±1 (0.039)	Philip	M12 A Code 4 Pin Plug Female	
	0.0 = ±0.5 (0.02)	CH.K 07/13/2023	SCALE	SIZE
0.00 = ±0.3 (0.012)	Philip	1:1	A4	PART NO.
0.000 = ±0.15 (0.006)	APV.D 07/13/2023			PZAACM12B12041
0° = ± 2'	Richard			REV. 01
0.0° = ± 1'				SHEET 1 OF 1