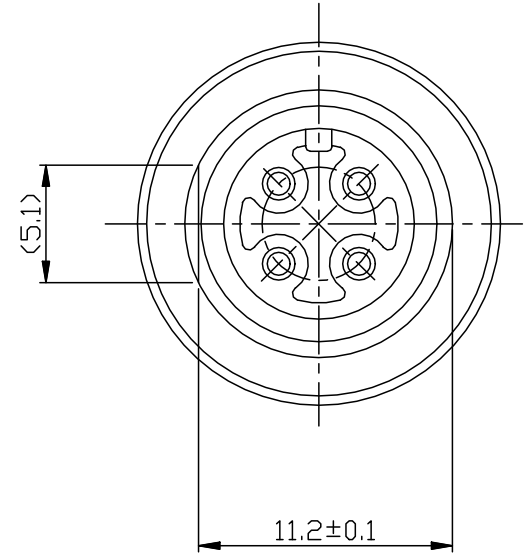
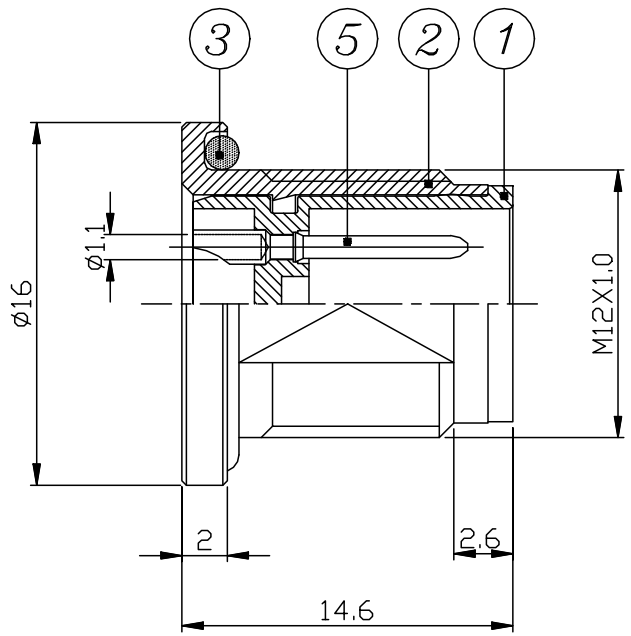
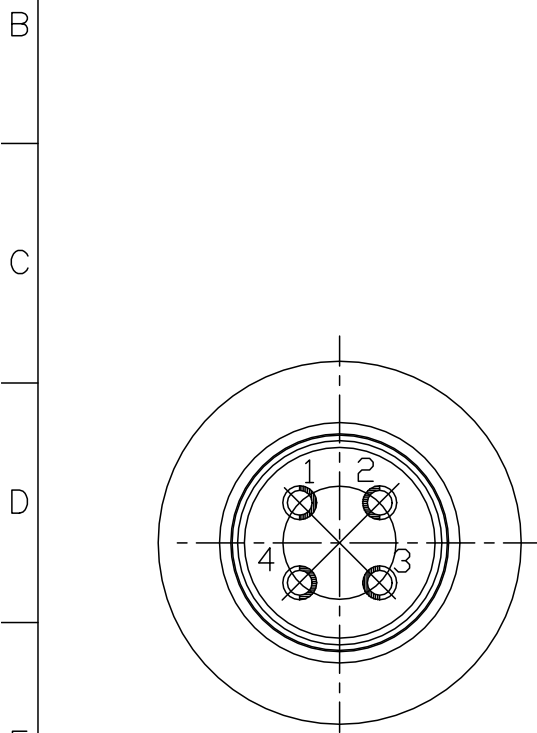
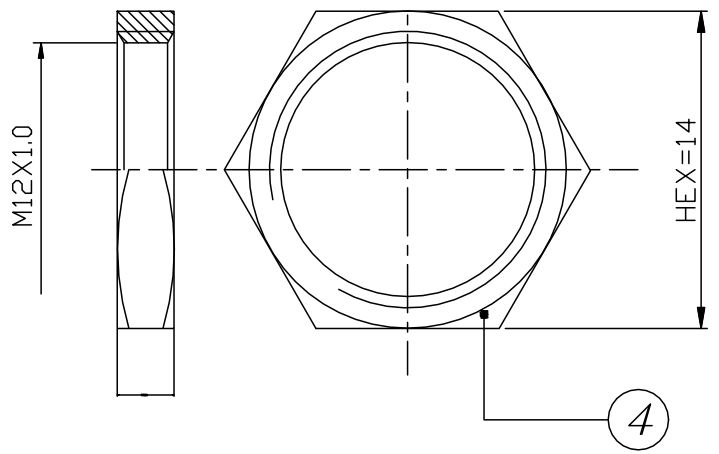


1		2		3		4		5		6		7		8	
THIS DRAWING AND THE DATA DISCLOSED HEREIN OR HEREWITH IS NOT TO BE REPRODUCED USED OR DISCLOSED IN WHOLE OR IN PART TO ANYONE WITHOUT THE PERMISSION OF JESS-LINK PRODUCTS CO.,LTD.(JPC)				CUSTOMER DRAWING				DRWC-XXXXXX		REV.	ECN NO.	DESCRIPTION	MDF'D	APP'D	DATE
										01		INITIAL DESIGN	Philip	Richard	07/13/2023
										02					
										03					

NO	PAT.NO	NAME	MATL	SHT	TREAT	REMARK
1	I-152PX	INSULATOR	PC	1		UL94V-2
2	B-316BN-R	BODY	COPPER ALLOY	1	PLATED M-Ni	
3	O-049RX	O RING	RUBBER	1		
4	N-066BN-R	NUT	COPPER ALLOY	1	PLATED M-Ni	
5	J-101BG-R	CONTACT	COPPER ALLOY	4	PLATED M-Au	



Items	Electrical specifications
Rated current/voltage	AC/DC 5V-5mA min. AC/DC 125V-3A max.
Withstanding voltage	AC 1500V(rms) for 1 minute
Insulation resistance	100MΩ min. at DC 500V
Contact resistance	3mΩ max. at DC 1A

RoHS COMPLIANT	Unit:mm(inch)	PROJECTION	ZCables.com	
	GENERAL TOLERANCES: (UNLESS SPECIFIED)	D.R. 07/13/2023	TITLE	PD./FILE NO.
	0 =±1 (0.039)	Philip	M12 A Code 4 Pin Receptacle Male	
	0.0 =±.5 (0.02)	CH.K 07/13/2023	SCALE	SIZE
0.00 =±.3 (0.012)	Philip	1:1	A4	PART NO.
0.000=±.15(0.006)	APV.D 07/13/2023	Richard		PZAAMC12C12041
0° =± 2'				REV. 01
0.0° =± 1'				SHEET 1 OF 1