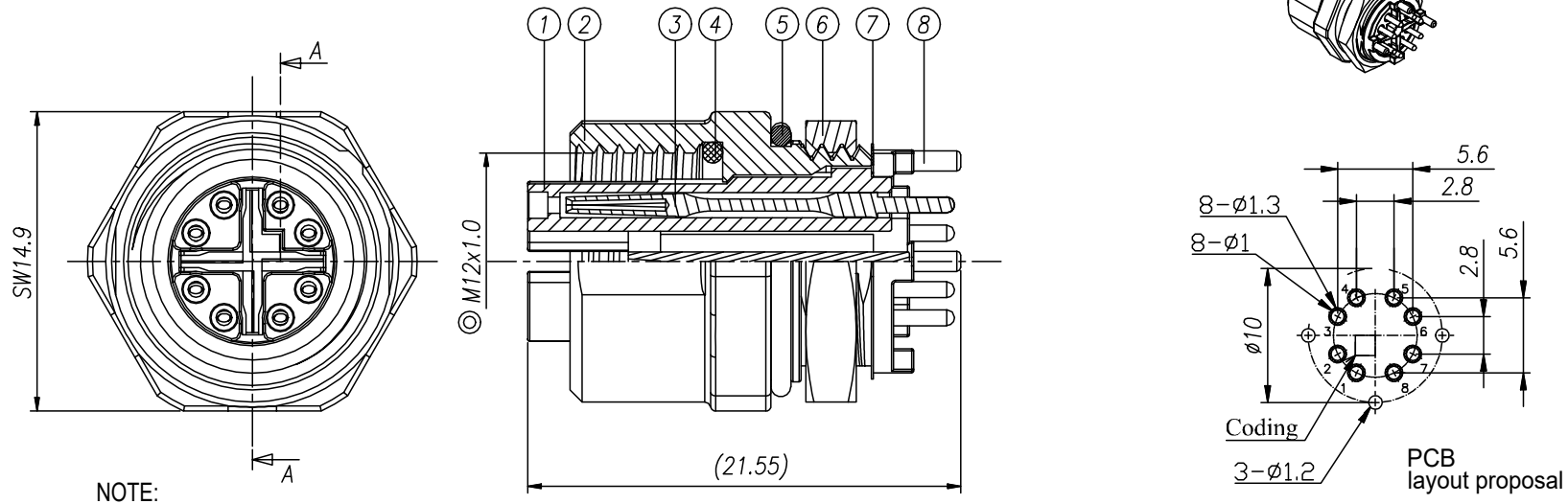


1	2	3	4	5	6	7	8				
THIS DRAWING AND THE DATA DISCLOSED HEREIN OR HEREWITH IS NOT TO BE REPRODUCED USED OR DISCLOSED IN WHOLE OR IN PART TO ANYONE WITHOUT THE PERMISSION OF JESS-LINK PRODUCTS CO.,LTD.(JPC)				CUSTOMER DRAWING DRWC-XXXXXX		REV.	ECN NO.	DESCRIPTION	MDF'D	APP'D	DATE
						01		INITIAL DESIGN	Philip	Richard	07/13/2023
						02					
						03					

NO	PAT.NO	NAME	MATL	SHT	TREAT	REMARK	NO	PAT.NO	NAME	MATL	SHT	TREAT	REMARK
1	I-791PX	INSULATOR	PA66+15%GF	1	—————	BLACK	5	O-388RX	O-RING	NBR	1	—————	BLACK
2	A-609ZN-R	CAP	ZDC3	1	PLATED M-Ni	Ni=3-6um Abrasive Blasting	6	N-066BN-R	CAP	C3604BD	1	PLATED M-Ni	Ni=3-6um —————
3	K-596BG-R	CONTACT	C5441B	8	PLATED M-Au	Ni=300-350u" Au=4-6u" —————	7	O-387BN-R	WASHER	C-1720R(1/2H)	1	PLATED M-Ni	Ni=flash —————
4	O-405RX	O-RING	NBR	1	—————	BLACK	8	C-444ZT-R	Foolproof Pillar	ZDC3	1	PLATED M-Sn	Ni=1.25-2.5um Sn=3-6um Abrasive Blasting



NO	Electrical specifications	NO	Electrical specifications		
1	CONTACTOR, PIN OF STABLE POWER(gf)	4000 gf	6	OPERATING TEMPERATURE	-40 °C -85 °C
2	CONNECTING STRENGTH(Kgf)	30 Kgf	7	WATER PROOF	IP67
3	INSULATION IMPEDANCE(DC 500 V, ONE MINUTES, THE RESULT COMES OUT)(M Ω Min)	100 MΩ Min	8	RATED CURRENT(A Max)	0.5 A Max
4	WITHSTANDING VOLTAGE(AC V, ONE MINUTES)	AC 800 V, ONE MINUTES	9	RATED VOLTAGE(V Max)	50 V Max
5	CONTACT RESISTANCE(DC A THE RESULTS COMES OUT Max Ω)	DC 1A THE RESULTS COMES OUT Max 10 Ω)	10	Transmission characteristics	Cat. 6A Class EA up to 500 MHz

RoHS COMPLIANT	Unit:mm(inch)	PROJECTION	ZCables.com	
	GENERAL TOLERANCES: (UNLESS SPECIFIED)	D.R. 07/13/2023		
	0 =±1 (0.039)	Philip	TITLE	
	0.0 =±.5 (0.02)	CH.K 07/13/2023	M12 X Code 8 Pin Receptacle Female Connector (DIP PCB Type)	
0.00 =±.3 (0.012)	Philip	SCALE	SIZE	PART NO.
0.000=±.15(0.006)	APV.D 07/13/2023	1:1	A4	PZAACM12C12081
0° =± 2'	Richard	REV.	01	PD./FILE NO.
0.0° =± 1'		SHEET	1 OF 1	