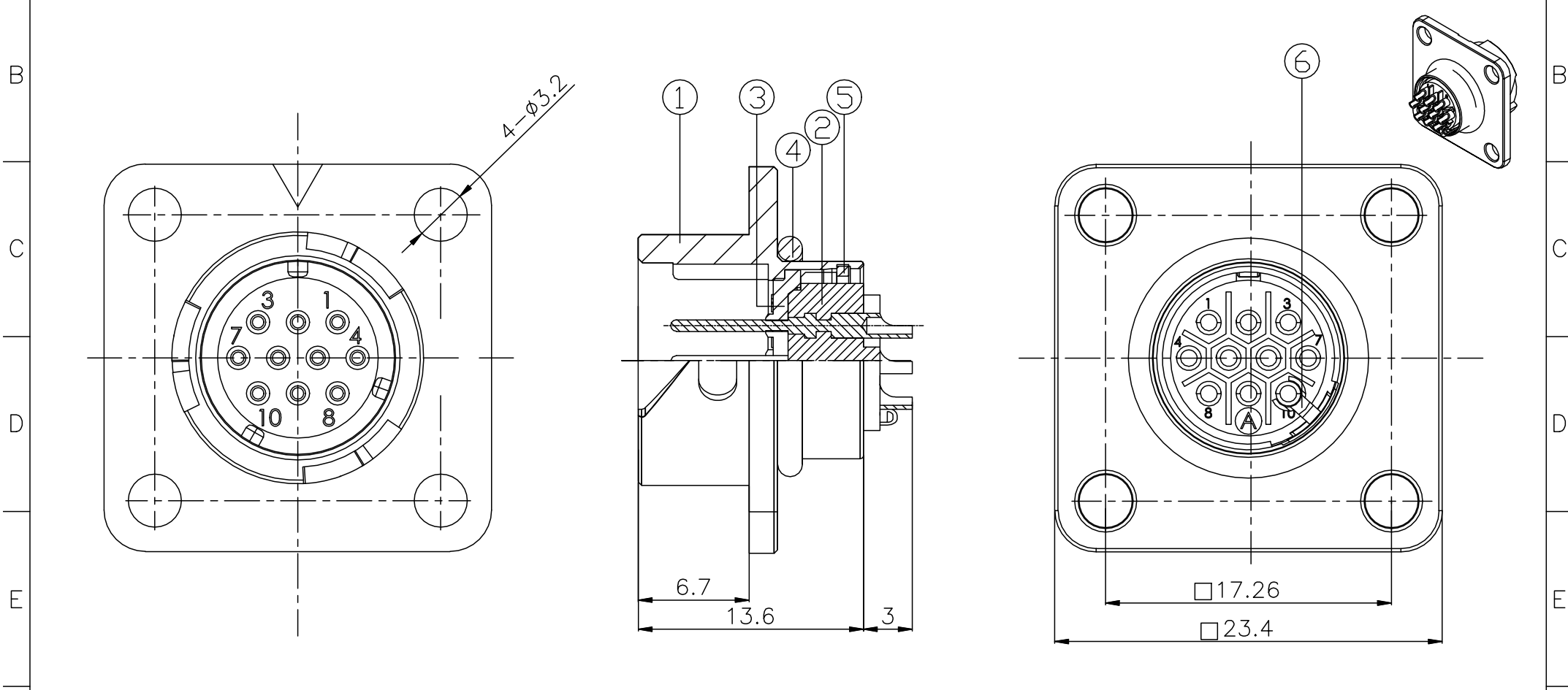


1		2		3		4		5		6		7		8			
				THIS DRAWING AND THE DATA DISCLOSED HEREIN OR HEREWITH IS NOT TO BE REPRODUCED USED OR DISCLOSED IN WHOLE OR IN PART TO ANYONE WITHOUT THE PERMISSION OF JESS-LINK PRODUCTS CO.,LTD.(JPC)				CUSTOMER DRAWING DRWC-XXXXXX				REV.	ECN NO.	DESCRIPTION	MDF'D	APP'D	DATE
												01		INITIAL DESIGN	Philip	Richard	07/13/2023
												02					
												03					

NO	PAT.NO	NAME	MATL	SHT	TREAT	REMARK	NO	PAT.NO	NAME	MATL	SHT	TREAT	REMARK
1	B-1327ZN	BODY	ZED12	1	PLATED M-Ni	Abrasive Blasting	4	O-133RX	O RING	RUBBER NBR	1		BLACK
2	G-268PB	INSULATOR	PBT+15%GF C3604	10	PLATED M-Ag	BLACK	5	Q-706BG-R	EARTH BLATE	COPPER ALLOY	1	PLATED M-Ag	
3	Q-703RX	WASHER	RUBBER	1		BLACK	6	Q-833BN-R	Buckle	Phosphor Bronze	1	PLATED M-Ni	



NO.	ELECTRICAL CHARACTERISTICS	
1	Operation limit voltage (AC.V.rms)	200
2	Withstanding voltage (AC.V.rms) 1 minute	900
3	Insulation resistance(MΩ MIN.) at DC 500V	1000

RoHS COMPLIANT	Unit:mm(inch)	PROJECTION 	ZCables.com	
	GENERAL TOLERANCES: (UNLESS SPECIFIED)	D.R. 07/13/2023		
	0 =±1 (0.039)	Philip	WPM-15 Series 10 Pin Receptacle Male	
	0.0 =±.5 (0.02)	CH.K 07/13/2023	SCALE	SIZE
0.00 =±.3 (0.012)	Philip	1:1	A4	PZAACWPMC15101
0.000=±.15(0.006)	APV.D 07/13/2023	REV.		REV. 01
0° =± 2'	Richard			SHEET 1 OF 1
0.0° =± 1"				