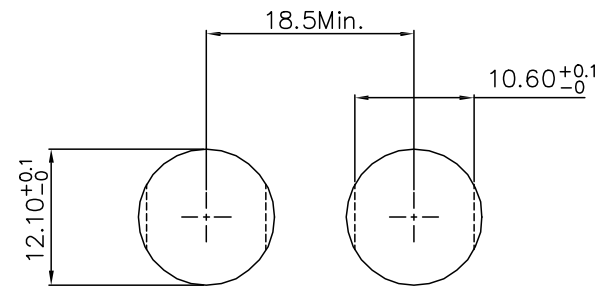


1	2	3	4	5	6	7	8				
THIS DRAWING AND THE DATA DISCLOSED HEREIN OR HEREWITH IS NOT TO BE REPRODUCED USED OR DISCLOSED IN WHOLE OR IN PART TO ANYONE WITHOUT THE PERMISSION OF JESS-LINK PRODUCTS CO.,LTD.(JPC)				CUSTOMER DRAWING DRWC-XXXXXX		REV.	ECN NO.	DESCRIPTION	MDF'D	APP'D	DATE
						01		INITIAL DESIGN	Philip	Richard	07/10/2023
						02					
						03					

POSITIONS	02 PIN	03 PIN	04 PIN	05 PIN	06 PIN	07 PIN	08 PIN	10 PIN	14 PIN	16 PIN
VIEW FROE TERMINATION SIDE SOCKET PART										

NOTE:
 1. MATERIAL AND FINISH
 1.1. SHELL ASSEMBLY: COPPER ALLOY, OUTER SHELL AND COLLET NUT Cr PLATING, OTHER METALLIC COMPONENTS Ni PLATING
 1.2. INSULATOR: PEEK
 1.3. CONTACT: COPPER ALLOY, GOLD PLATING
 2. RoHS COMPLIANCE
 3. PART NO.:



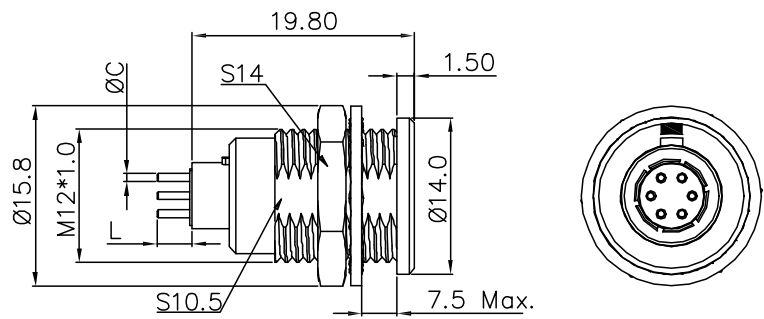
PANEL CUT-OUT

R - F 1 B R * * 0 * 0 0 * 0 0

CONTACT POS.	02-16=2pin-16pin
SHELL MATERIAL	0=Brass

CODE	KEY ANGLES
0	0
A	30°
B	60°
..	..

CODE	CONTACT TYPE
1	Male Print Contact
3	Female Print Contact

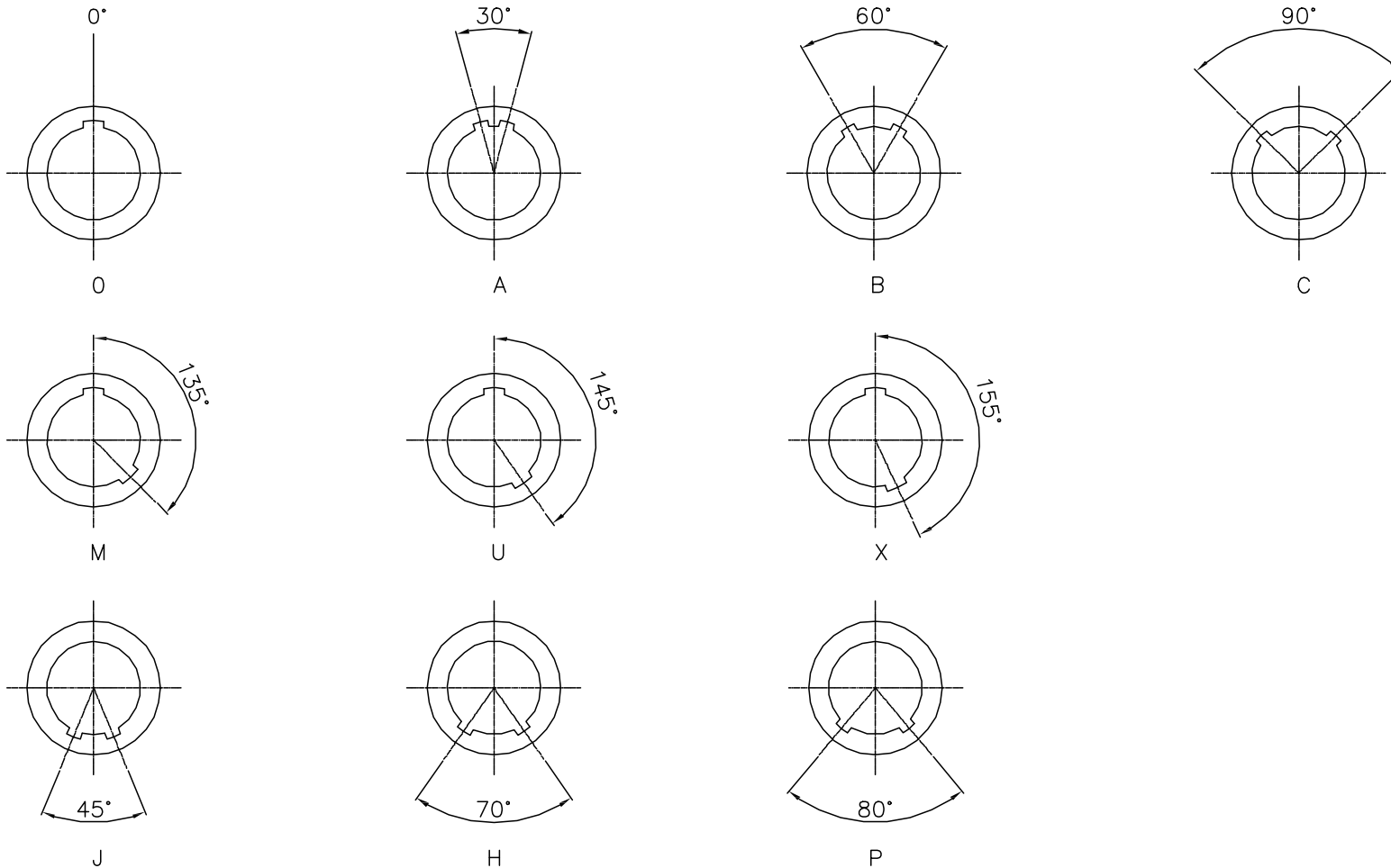


No. OF CONTACTS	ØC	L
02,03.....07,08	0.7	3.0
10,14,16	0.5	4.0

RoHS COMPLIANT	Unit:mm(inch)	PROJECTION	ZCables.com	
	GENERAL TOLERANCES: (UNLESS SPECIFIED)	D.R. 07/10/2023	TITLE	PD./FILE NO.
	0 =±1 (0.039)	Philip	B Series , 1B , Fixed Socket , 10 Pin (For Size 1,2) , Brass , Female Solder Contact	
	0.0 =±5 (0.02)	CH.K 07/10/2023		
0.00 =±3 (0.012)	Philip	SCALE	SIZE	PART NO.
0.000=±.15(0.006)	APV.D 07/10/2023	1:1	A4	PZACF1BXD12101
0° =± 2'	Richard			REV. 01
0.0° =± 1'				SHEET 1 OF 3

1	2	3	4	5	6	7	8				
THIS DRAWING AND THE DATA DISCLOSED HEREIN OR HEREWITH IS NOT TO BE REPRODUCED USED OR DISCLOSED IN WHOLE OR IN PART TO ANYONE WITHOUT THE PERMISSION OF JESS-LINK PRODUCTS CO.,LTD.(JPC)				CUSTOMER DRAWING DRWC-XXXXXX		REV.	ECN NO.	DESCRIPTION	MDF'D	APP'D	DATE
						01		INITIAL DESIGN	Philip	Richard	07/10/2023
						02					
						03					

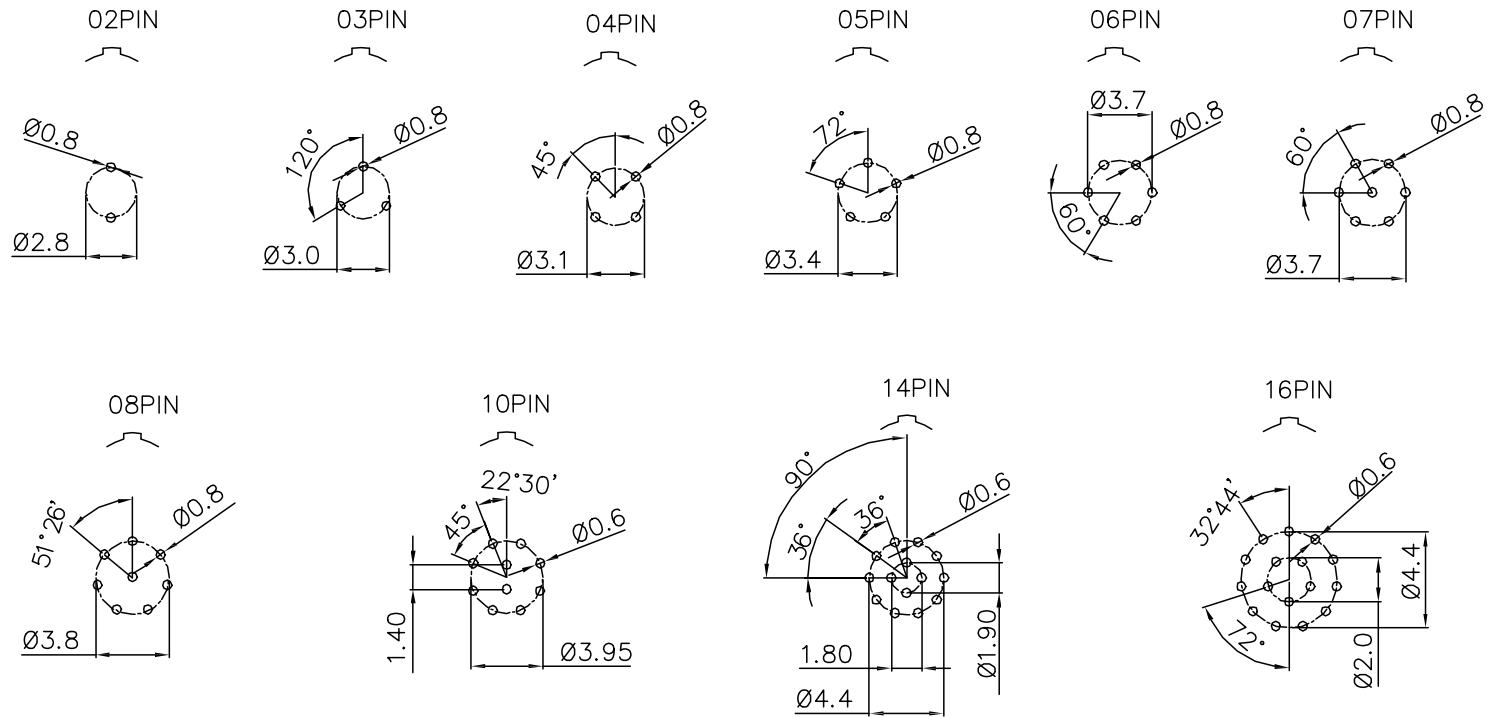
KEY ANGLES (RECEPTACLE FRONT VIEW):



RoHS COMPLIANT	Unit:mm(inch)	PROJECTION 	ZCables.com		
	GENERAL TOLERANCES: (UNLESS SPECIFIED)				PD./FILE NO.
	0 =±1 (0.039)	D.R. 07/10/2023 Philip	TITLE B Series , 1B , Fixed Socket , 10 Pin (For Size 1,2) , Brass , Female Solder Contact		
	0.0 =±.5 (0.02)	CH.K 07/10/2023 Philip	SCALE	SIZE	PART NO.
0.000=±.15(0.006)	APV.D 07/10/2023 Richard	1:1	A4	PZACF1BXD12101	SHEET 2 OF 3
0° =± 2'					
0.0° =± 1"					

1	2	3	4	5	6	7	8				
	THIS DRAWING AND THE DATA DISCLOSED HEREIN OR HEREWITH IS NOT TO BE REPRODUCED USED OR DISCLOSED IN WHOLE OR IN PART TO ANYONE WITHOUT THE PERMISSION OF JESS-LINK PRODUCTS CO.,LTD.(JPC)			CUSTOMER DRAWING DRWC-XXXXXX		REV.	ECN NO.	DESCRIPTION	MDF'D	APP'D	DATE
						01		INITIAL DESIGN	Philip	Richard	07/10/2023
						02					
						03					

PCB DRILLING PATTERN:



RoHS COMPLIANT	Unit:mm(inch)	PROJECTION 	ZCables.com		
	GENERAL TOLERANCES: (UNLESS SPECIFIED)	D.R. 07/10/2023 Philip			TITLE B Series , 1B , Fixed Socket , 10 Pin (For Size 1,2) , Brass , Female Solder Contact
	0 =±1 (0.039)	CH.K 07/10/2023 Philip	SCALE	SIZE	PART NO.
	0.0 =±.5 (0.02)	APV.D 07/10/2023 Richard	1:1	A4	PZACF1BXD12101
0.000=±.15(0.006)				REV. 01	
0° =± 2'				SHEET 3 OF 3	
0.0° =± 1'					