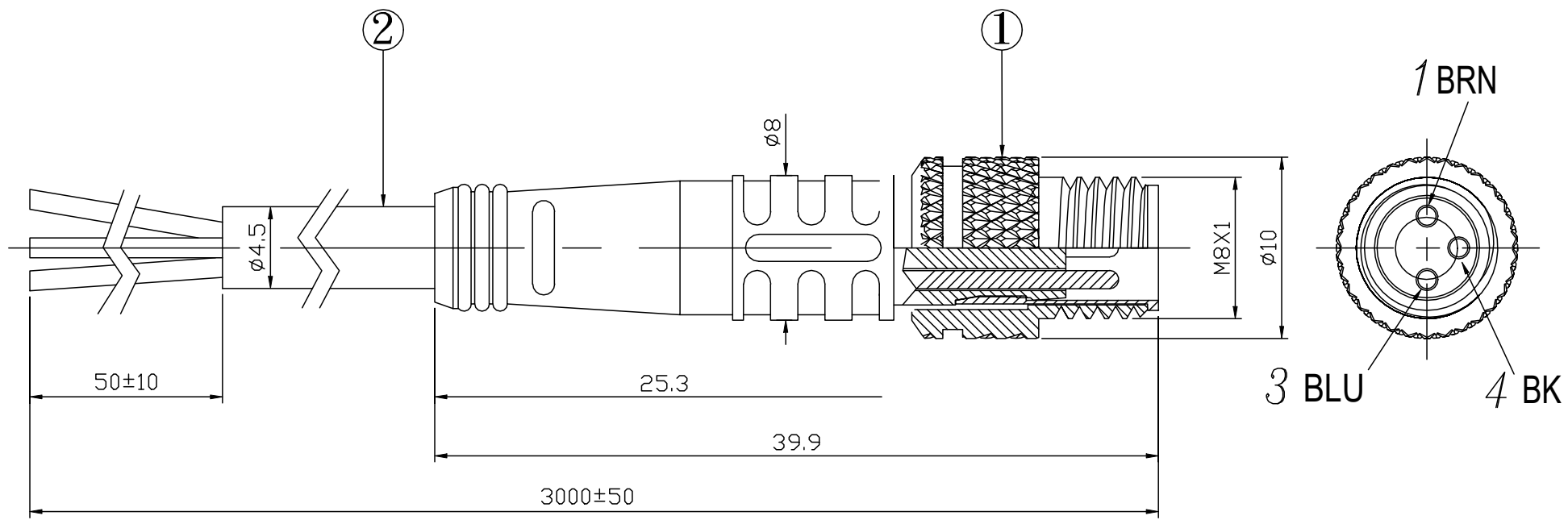


1		2		3		4		5		6		7		8	
THIS DRAWING AND THE DATA DISCLOSED HEREIN OR HEREWITH IS NOT TO BE REPRODUCED USED OR DISCLOSED IN WHOLE OR IN PART TO ANYONE WITHOUT THE PERMISSION OF JESS-LINK PRODUCTS CO.,LTD.(JPC)				CUSTOMER DRAWING				DRWC-XXXXXX		REV.	ECN NO.	DESCRIPTION	MDF'D	APP'D	DATE
										01		INITIAL DESIGN	Philip	Richard	07/13/2023
										02					
										03					

NO	PAT. NO	NAME	MATL	SHT	TREAT	REMARK
1	TNPM-631-PMD-R	3 PIN CONNECTOR		1		
2	V-034PX-R	WIRE		3M		24AWG BLACK JACKET

No.	ELECTRICAL SPECIFICATIONS	
1	Rated current/voltage	3A-125V MAX. 5mA-5V MIN.
2	Operation limits voltage (AC.V.rms)	
3	Withstanding voltage (AC.V.rms) 1minute	300
4	Insulation resistance (MΩ MIN.) at DC 500V	100



RoHS COMPLIANT	Unit:mm(inch)	PROJECTION	ZCables.com		
	GENERAL TOLERANCES: (UNLESS SPECIFIED)				
	0 =±1 (0.039)	D.R. 07/13/2023	TITLE	PD./FILE NO.	
	0.0 =±.5 (0.02)	Philip	M8 3 Pin Plug Male Cable 3M To Open		
0.00 =±.3 (0.012)	CH.K 07/13/2023	SCALE	SIZE	PART NO.	REV. 01
0.000=±.15(0.006)	Philip	1:1	A4	PZBACN030-0002	SHEET 1 OF 2
0° =± 2'	APV.D 07/13/2023				
0.0° =± 1"	Richard				