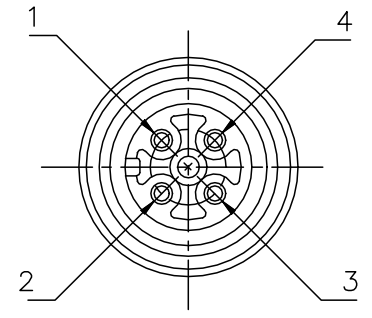
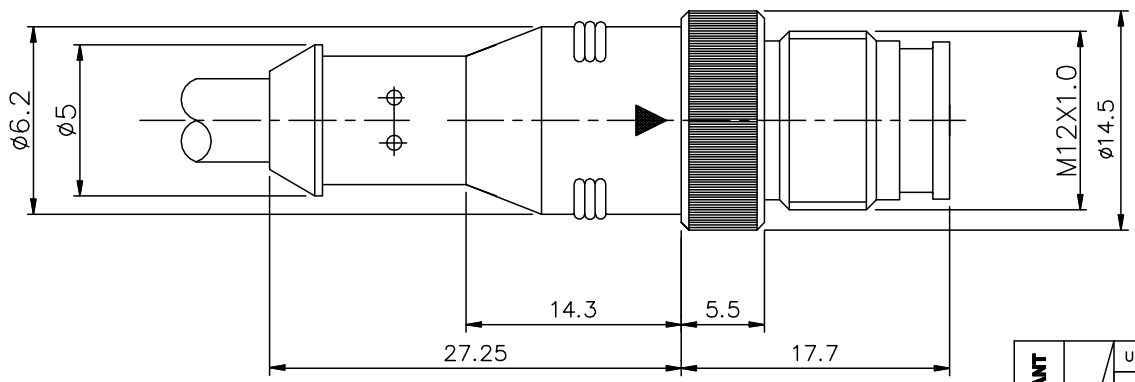
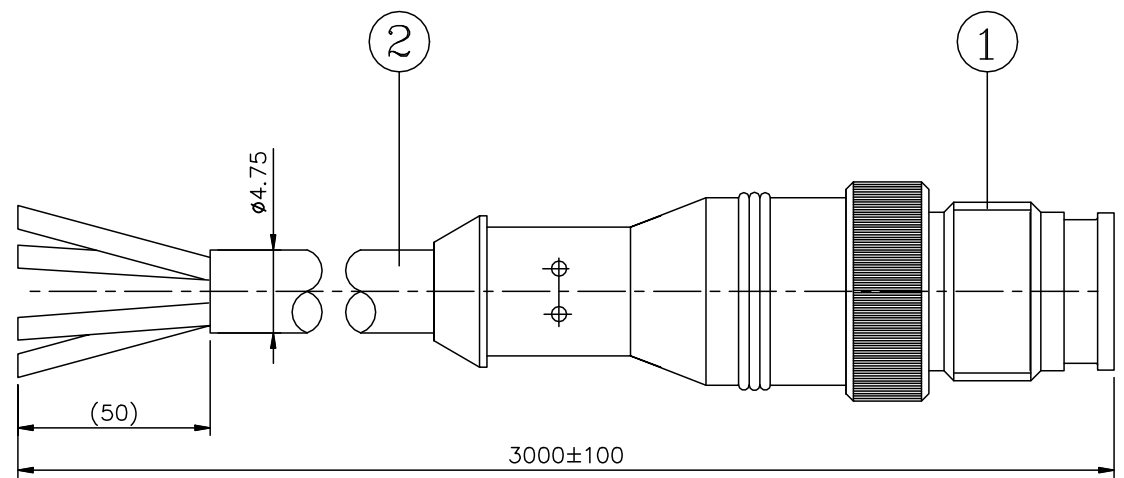


1		2		3		4		5		6		7		8	
THIS DRAWING AND THE DATA DISCLOSED HEREIN OR HEREWITH IS NOT TO BE REPRODUCED USED OR DISCLOSED IN WHOLE OR IN PART TO ANYONE WITHOUT THE PERMISSION OF JESS-LINK PRODUCTS CO.,LTD.(JPC)				CUSTOMER DRAWING				DRWC-XXXXXX		REV.	ECN NO.	DESCRIPTION	MDF'D	APP'D	DATE
										01		INITIAL DESIGN	Philip	Richard	07/13/2023
										02					
										03					

NO	PAT.NO	NAME	MATL	SHT	TREAT	REMARK
1	TNPM-624-PM-R	4 PIN CONNECTOR	_____	1	_____	_____
2	V#22B4C-R	CABLE	_____	3.1M	_____	UL 22AWG

Items	Electrical specifications
Rated current/voltage	AC/DC 5V-5mA min. AC/DC 125V-3A max.
Withstanding voltage	AC 300V(rms) for 1 minute
Insulation resistance	100MΩ min. at DC 500V

Contact No.	Cord color
1	BROWN
2	WHITE
3	BLUE
4	BLACK



RoHS COMPLIANT	Unit:mm(inch)	PROJECTION	ZCables.com	
	GENERAL TOLERANCES: (UNLESS SPECIFIED)	D.R. 07/13/2023	TITLE	PD./FILE NO.
	0 =±1 (0.039)	Philip	M12 A Code 4 Pin Plug Male Cable 3M To Open	
	0.0 =±.5 (0.02)	CH.K 07/13/2023	SCALE	SIZE
0.000=±.3 (0.012)	Philip	1:1	A4	REV. 01
0.000=±.15(0.006)	APV.D 07/13/2023	Richard	PART NO.	SHEET 1 OF 1
0° =± 2'			PZBACP030-0001	
0.0° =± 1'				