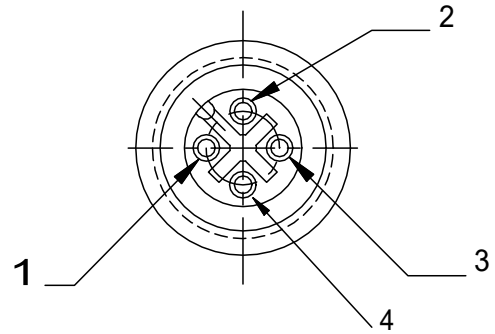
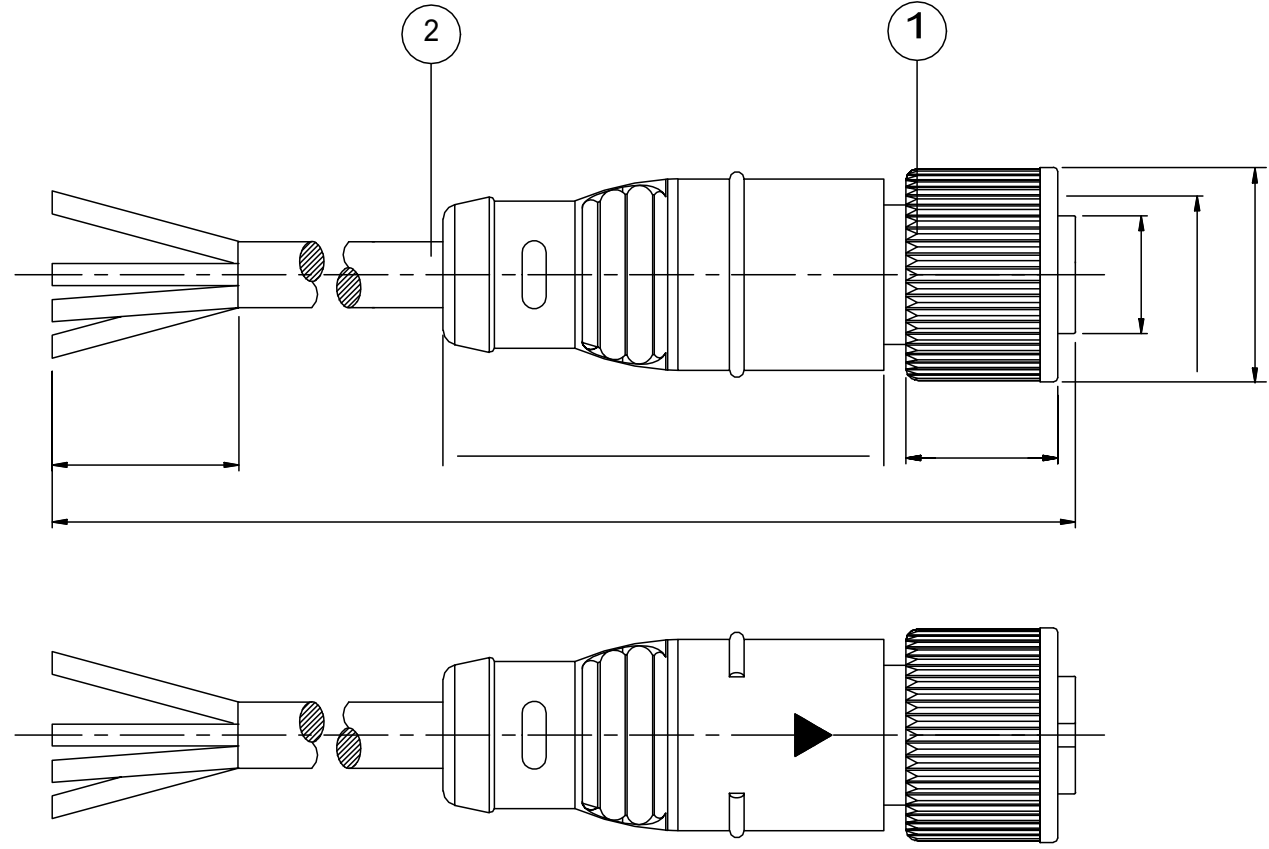


1	2		3	4	5	6	7	8				
THIS DRAWING AND THE DATA DISCLOSED HEREIN OR HEREWITH IS NOT TO BE REPRODUCED USED OR DISCLOSED IN WHOLE OR IN PART TO ANYONE WITHOUT THE PERMISSION OF JESS-LINK PRODUCTS CO.,LTD.(JPC)					CUSTOMER DRAWING DRWC-XXXXXX		REV.	ECN NO.	DESCRIPTION	MDF'D	APP'D	DATE
							01		INITIAL DESIGN	Philip	Richard	07/13/2023
							02					
							03					

NO	PAT.NO	NAME	MATL	SHT	TREAT	REMARK
1	TNPM-624-PF-R	4 PIN CONNECTOR		1		
2	V#22B4C-R	WIRE		3m	PVC BLACK	UL 22AWG

Items	Electrical specifications
Rated current/voltage	AC/DC 5V-5mA min. AC/DC 125V-3A max.
Withstanding voltage	AC 300V(rms) for 1 minute
Insulation resistance	100M Ω min. at DC 500V

Contact No.	Cord color
1	BROWN
2	WHITE
3	BLUE
4	BLACK



RoHS COMPLIANT	Unit:mm(inch)	PROJECTION	ZCables.com		
	GENERAL TOLERANCES: (UNLESS SPECIFIED)	D.R. 07/13/2023			PD./FILE NO.
	0 =±1 (0.039)	Philip	TITLE		
	0.0 =±.5 (0.02)	CH.K 07/13/2023	M12 A Code 4 Pin Plug Female Cable 3M To Open		
0.00 =±.3 (0.012)	Philip	SCALE	SIZE	PART NO.	REV. 01
0.000=±.15(0.006)	APV,D 07/13/2023	1:1	A4	PZBACP030-0002	SHEET 1 OF 1
0° =± 2'	Richard				
0.0° =± 1'					