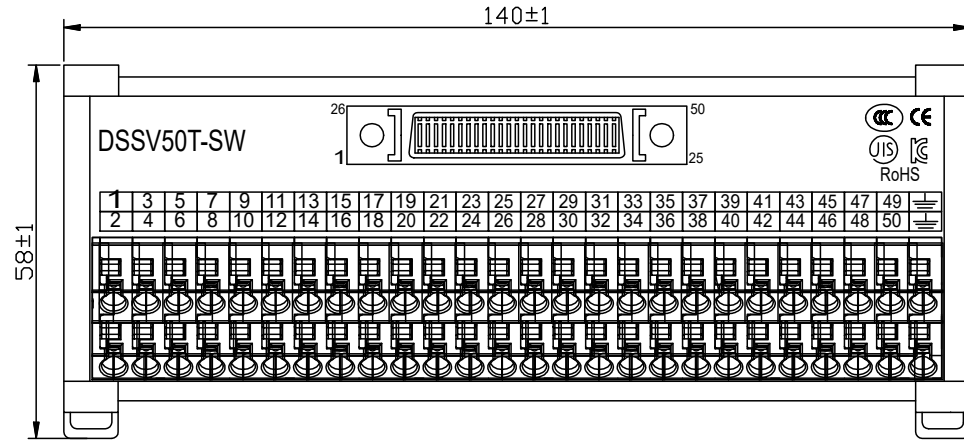
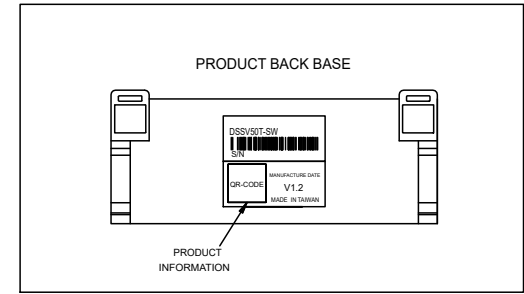
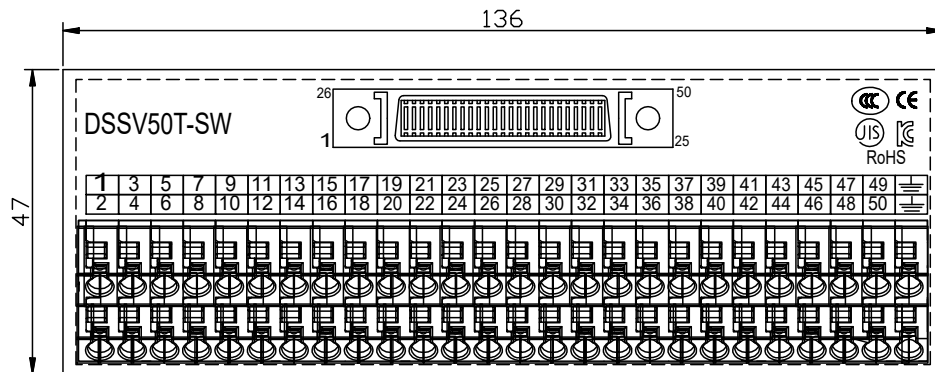
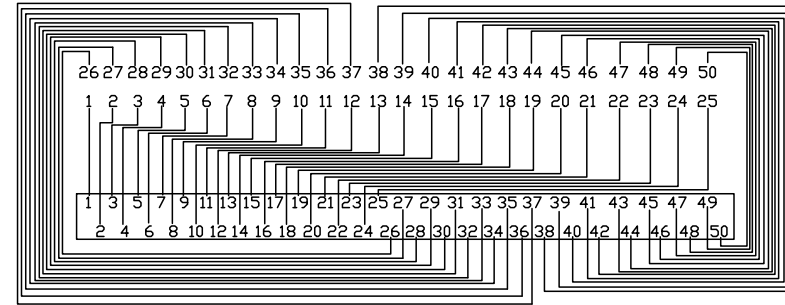


| | | | | | | | | | | | |
|-------------------------------------------------------------------------------------------------------------------------------------------------------------------------------------------|---|---|---|---------------------------------|---|------|---------|----------------|--------|---------|------------|
| 1 | 2 | 3 | 4 | 5 | 6 | 7 | 8 | | | | |
| THIS DRAWING AND THE DATA DISCLOSED HEREIN OR HEREWITH IS NOT TO BE REPRODUCED USED OR DISCLOSED IN WHOLE OR IN PART TO ANYONE WITHOUT THE PERMISSION OF JESS-LINK PRODUCTS CO.,LTD.(JPC) | | | | CUSTOMER DRAWING DRWC-XXXXXX | | REV. | ECN NO. | DESCRIPTION | MDF'D | APP'D | DATE |
| | | | | | | 01 | | INITIAL DESIGN | Philip | Richard | 07/13/2023 |
| | | | | | | 02 | | | | | |
| | | | | | | 03 | | | | | |

DSSV50T-SW DESIGN SPECIFICATION



PIN ASSIGNMENT:



| | | | | |
|-------------------|----------------------------------------|-----------------|----------------------------------------------------------|----------------|
| RoHS COMPLIANT | Unit:mm(inch) | PROJECTION | ZCables.com | |
| | GENERAL TOLERANCES: (UNLESS SPECIFIED) | D.R. 07/13/2023 | TITLE | PD./FILE NO. |
| | 0 =±1 (0.039) | Philip | DSSV50T-SW 50 Pin Magic Color Wire Saving Terminal Block | |
| | 0.0 =±.5 (0.02) | CH.K 07/13/2023 | (Servo IO Control And Wire Saving Module) | |
| 0.00 =±.3 (0.012) | Philip | SCALE | SIZE | PART NO. |
| 0.000=±.15(0.006) | APV,D 07/13/2023 | 1:1 | A4 | PZBEPSSV50TSWX |
| 0° =± 2' | Richard | | | REV. 01 |
| 0.0° =± 1" | | | | SHEET 1 OF 1 |