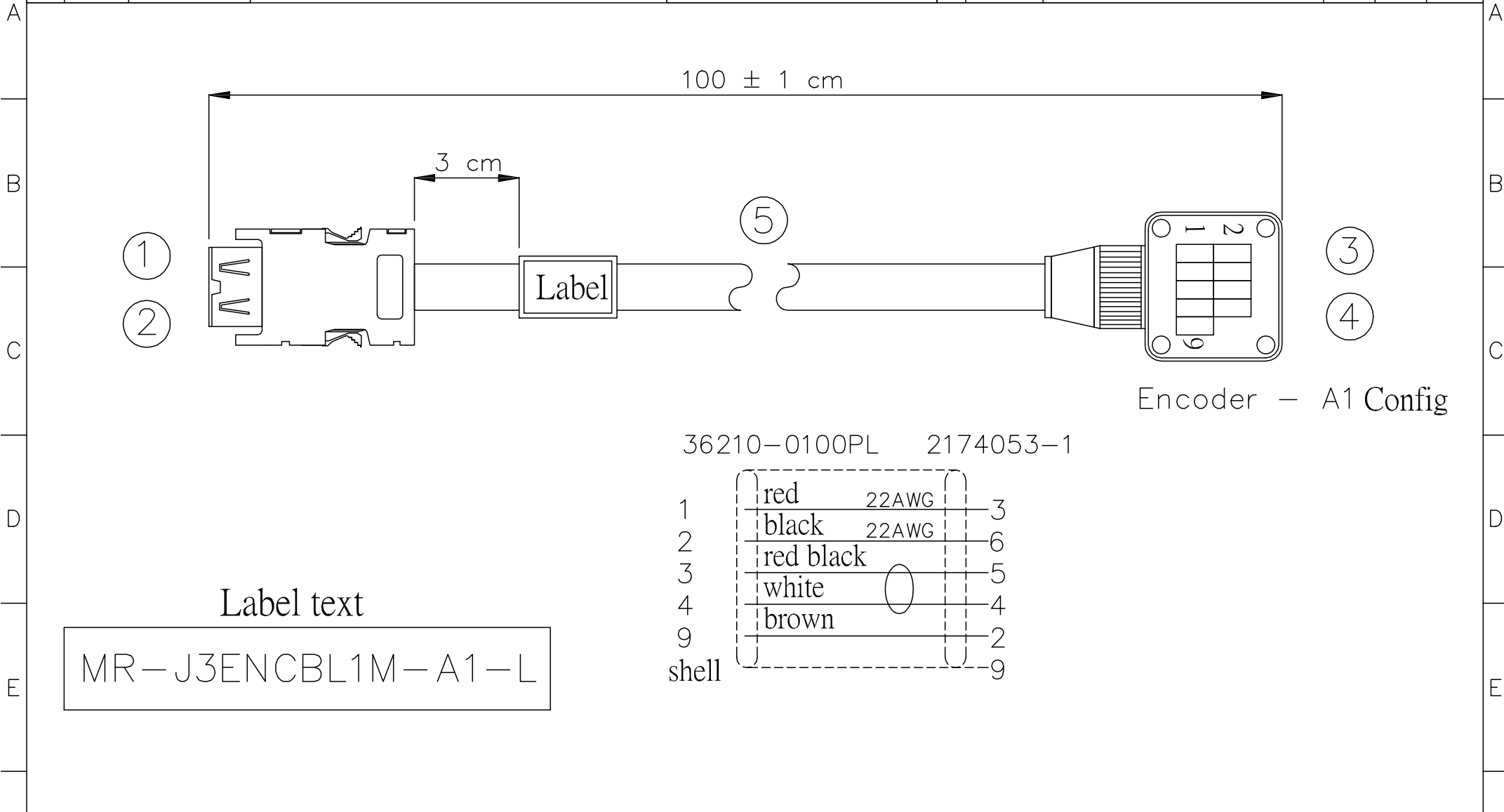


1	2	3	4	5	6	7	8				
THIS DRAWING AND THE DATA DISCLOSED HEREIN OR HEREWITH IS NOT TO BE REPRODUCED USED OR DISCLOSED IN WHOLE OR IN PART TO ANYONE WITHOUT THE PERMISSION OF JESS-LINK PRODUCTS CO.,LTD.(JPC)				CUSTOMER DRAWING DRWC-XXXXXX		REV.	ECN NO.	DESCRIPTION	MDF'D	APP'D	DATE
						01		INITIAL DESIGN	Philip	Richard	07/11/2023
						02					
						03					



5	Worldwide cable, UL20276, 22AWG*2C+24AWG*2P Weave	1
4	APM Terminal, 1674335-4	5
3	APM CONNECTOR, 2174053-1, MitsubishiEncoder	1
2	3M CONNECTOR, ENCODER(shell), BLACK shell(ENC), 36310-3200-008	1
1	3M CONNECTOR, ENCODER, 36210-0100PL	1
ITEM	DESCRIPTION	Q'TY

<b>RoHS COMPLIANT</b>	Unit:mm(inch)	PROJECTION	<b>ZCables.com</b>		
	GENERAL TOLERANCES: (UNLESS SPECIFIED)	D.R. 07/11/2023			
	0 =±1 (0.039)	Philip	TITLE	PD./FILE NO.	
	0.0 =±.3 (0.012)	Philip	Servo Motor Cable		
0.000=±.15(0.006)	APV.D 07/11/2023	SCALE	SIZE	PART NO.	REV.
0' =± 2'	Richard	1:1	A4	PZBHJA010-0004	01
0.0' =± 1"					SHEET 1 OF 1