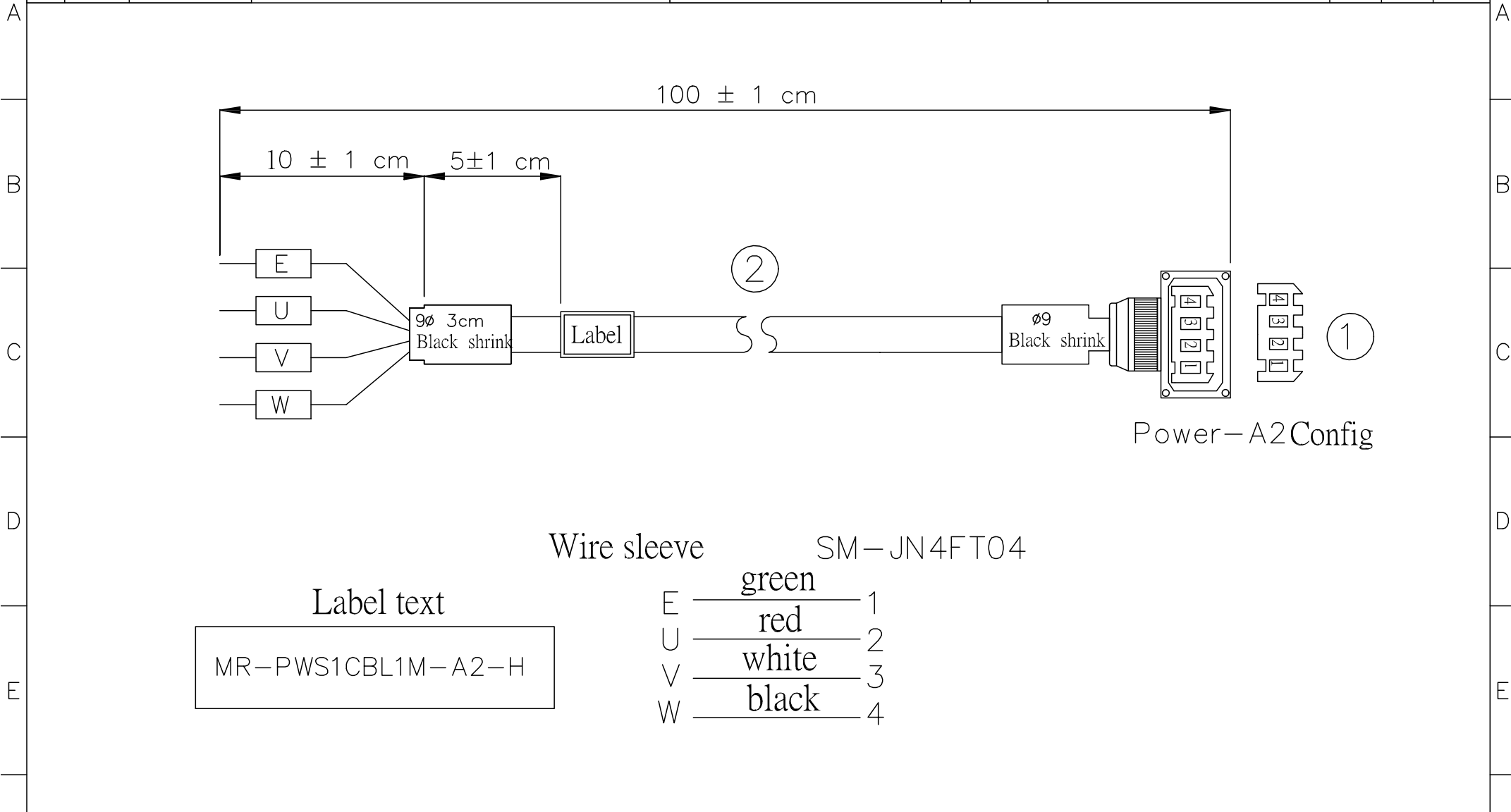


1	2	3	4	5	6	7	8				
	THIS DRAWING AND THE DATA DISCLOSED HEREIN OR HEREWITH IS NOT TO BE REPRODUCED USED OR DISCLOSED IN WHOLE OR IN PART TO ANYONE WITHOUT THE PERMISSION OF JESS-LINK PRODUCTS CO.,LTD.(JPC)			CUSTOMER DRAWING DRWC-XXXXXX		REV.	ECN NO.	DESCRIPTION	MDF'D	APP'D	DATE
						01		INITIAL DESIGN	Philip	Richard	07/11/2023
						02					
						03					



Label text

MR-PWS1CBL1M-A2-H

Wire sleeve SM-JN4FT04

E — green — 1  
 U — red — 2  
 V — white — 3  
 W — black — 4

2	TAIYO cable, TS/2517 300VLF, 19AWG*4C			1							
1	SUNTONE CONNECTOR, Mitsubishi, SM-JN4FT04, J3 POWER			1							
ITEM	DESCRIPTION			Q'TY							

RoHS COMPLIANT

Unit:mm(inch)	PROJECTION
GENERAL TOLERANCES: (UNLESS SPECIFIED)	D.R. 07/11/2023
0 = ±1 (0.039)	Philip
0.0 = ±.5 (0.02)	CH.K 07/11/2023
0.00 = ±.3 (0.012)	Philip
0.000 = ±.15 (0.006)	APV.D 07/11/2023
0° = ± 2'	Richard
0.0° = ± 1'	

ZCables.com			
TITLE		PD./FILE NO.	
Servo Motor Cable (Flexible)			
SCALE	SIZE	PART NO.	REV.
1:1	A4	PZBHJA010-0005	01
			SHEET 1 OF 1