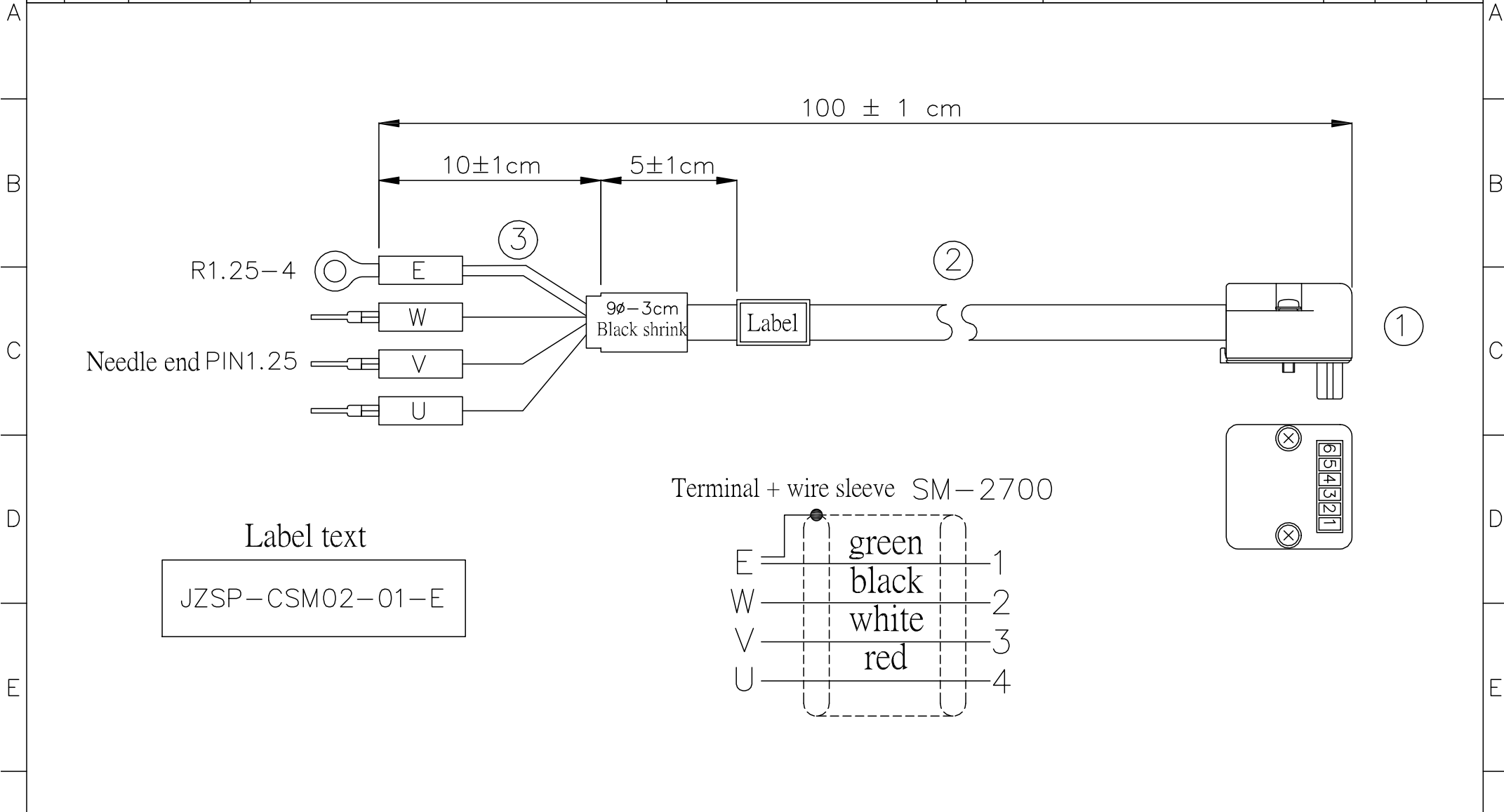
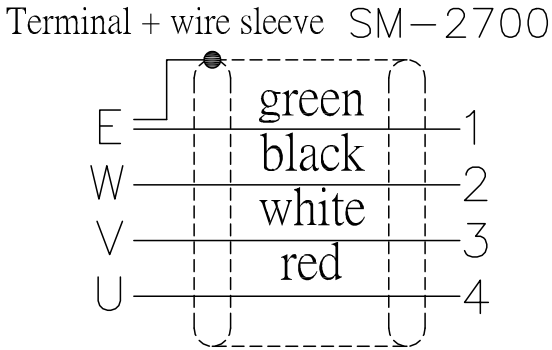


1	2	3	4	5	6	7	8				
THIS DRAWING AND THE DATA DISCLOSED HEREIN OR HEREWITH IS NOT TO BE REPRODUCED USED OR DISCLOSED IN WHOLE OR IN PART TO ANYONE WITHOUT THE PERMISSION OF JESS-LINK PRODUCTS CO.,LTD.(JPC)				CUSTOMER DRAWING DRWC-XXXXXX		REV.	ECN NO.	DESCRIPTION	MDF'D	APP'D	DATE
						01		INITIAL DESIGN	Philip	Richard	07/11/2023
						02					
						03					



Label text

JZSP-CSM02-01-E



					RoHS COMPLIANT	Unit:mm(inch)	PROJECTION	ZCables.com			
						GENERAL TOLERANCES: (UNLESS SPECIFIED)	D.R. 07/11/2023	TITLE		PD./FILE NO.	
						0 = ±1 (0.039)	Philip	Power Cable			
						0.0 = ±1.5 (0.02)	CH.K 07/11/2023				
						0.00 = ±.3 (0.012)	Philip				
3	PEWC cable (green), UL1007, 20AWG(0.5mm)				0.11	0.000 = ±.15(0.006)	APV.D 07/11/2023	SCALE	SIZE	PART NO.	REV. 01
2	Worldwide cable, UL2517, 20AWG*4C Braid isolated-black				1	0° = ± 2'	Richard	1:1	A4	PZBHA010-0006	SHEET 1 OF 1
1	SUNTONE CONNECTOR,Yaskawa SM-2700 POWER (for Yaskawa Σ-5)				1	0.0° = ± 1'					
ITEM	DESCRIPTION				Q'TY						