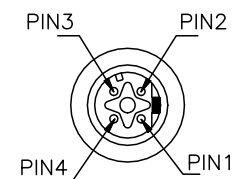


1	2	3	4	5	6	7	8				
THIS DRAWING AND THE DATA DISCLOSED HEREIN OR HEREWITH IS NOT TO BE REPRODUCED USED OR DISCLOSED IN WHOLE OR IN PART TO ANYONE WITHOUT THE PERMISSION OF JESS-LINK PRODUCTS CO.,LTD.(JPC)				CUSTOMER DRAWING DRWC-XXXXXX		REV.	ECN NO.	DESCRIPTION	MDF'D	APP'D	DATE
						01		INITIAL DESIGN	Philip	Richard	07/12/2023
						02					
						03					

M12 SHIELD MALE  
4 POSITION D-CODED



FRONT VIEW

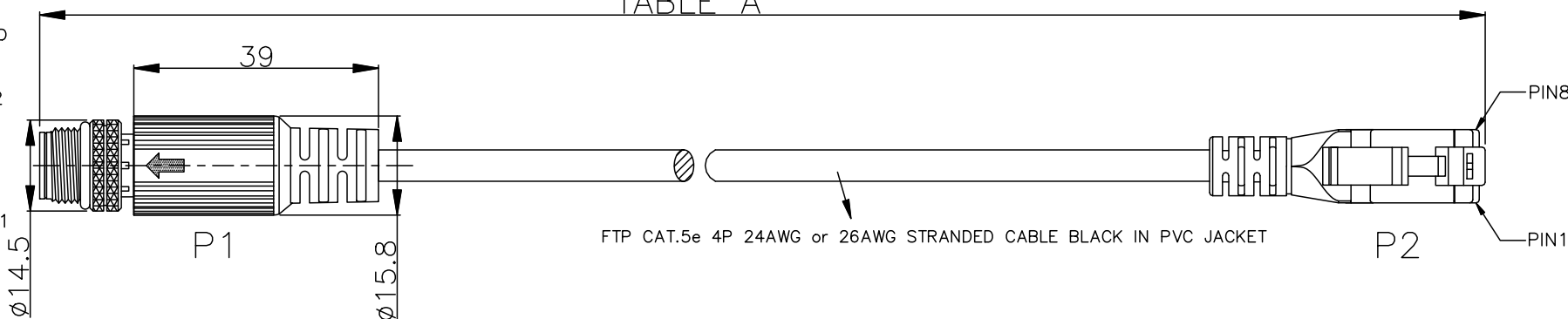


TABLE A

NOTES:

MATERIAL:

- CONNECTOR: M12 D-CODE MALE
- HOUSING: PBT UL94V-0 BLACK
- CONTACT: BRASS, 10 MICRO INCHES MIN. GOLD FLASH
- NUT: BRASS, NICKEL PLATED
- SHELL: ZN ALLOY, NICKEL PLATED
- BACK SHELL: BRASS, NICKEL PLATED

- CONNECTOR: RJ45 8P8C(CAT.5E)
- HOUSING: PC UL94V-2
- CONTACT: PHOSPHOR BRONZE FINE GOLD
- SHIELD: PLATED OVER NICKEL
- APPLICATION: 26AWG STRANDED

MOLDING HOOD: POLYVINYL CHLORIDE (PVC), BLACK

ELECTRONIC:  
RATED VOLTAGE: 30V  
RATED CURRENT: 0.5A

APPLICATION:  
WATER PROOF IS IP67(MATED)

ENVIRONMENTAL:  
OPERATING TEMPERATURE RANGE: -10°C TO 75°C  
CABLE JACKET RESISTANCE: TYPE CM FLAME

TESTING CONDITION:  
CONDUCTIVE RESISTANCE 2 Ohm Max.  
INSULATION RESISTANCE 20M Ohm Min  
WITH DC200V DURING 0.05second.

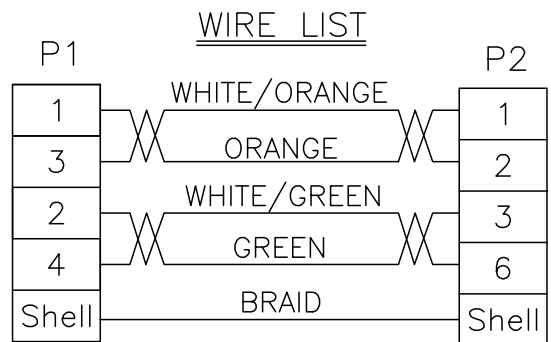
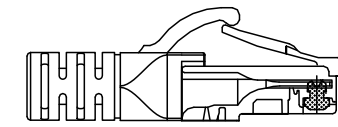


TABLE A

JPC P/N	Length(mm)
PZBQKB030-001	3000 <sup>+30</sup> <sub>-0</sub>
PZBQKB050-001	5000 <sup>+50</sup> <sub>-0</sub>

<b>RoHS COMPLIANT</b>	Unit:mm(inch)	PROJECTION 	<b>ZCables.com</b>		
	GENERAL TOLERANCES: (UNLESS SPECIFIED)	D.R. 07/12/2023 Philip	TITLE M12 D Code 4 Pin Male To RJ45 Plug FTP CAT5e Cable		
	0 =±1 (0.039) 0.0 =±1.3 (0.051) 0.000=±.15(0.006)	CH.K 07/12/2023 Philip	SCALE	SIZE	PD./FILE NO.
	0° =± 2° 0.0° =± 1°	APV.D 07/12/2023 Richard	1:1	A4	REV. 01 SHEET 1 OF 1
				PART NO. PZBQKBXXX-001	