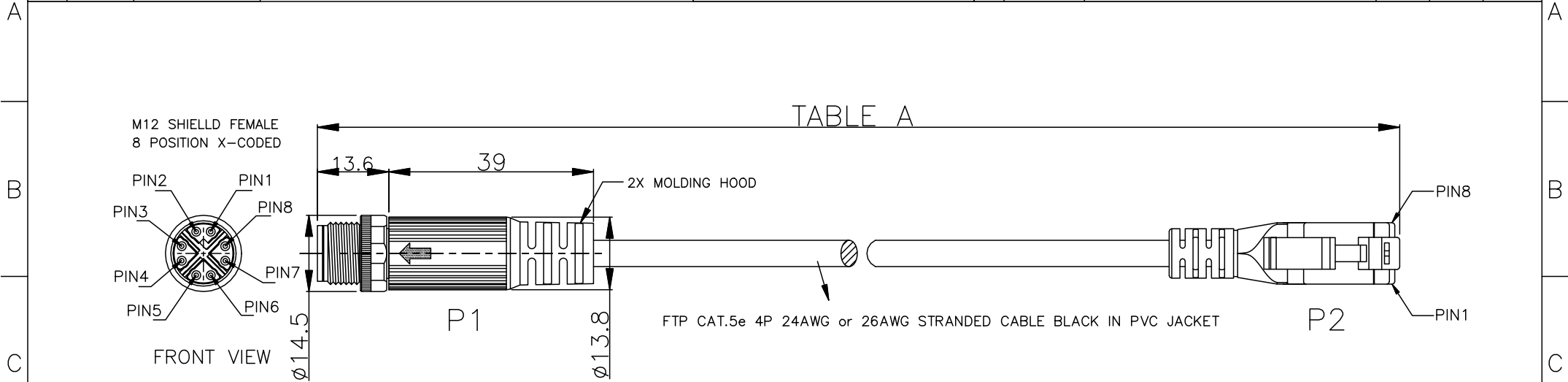


1	2	3	4	5	6	7	8				
THIS DRAWING AND THE DATA DISCLOSED HEREIN OR HEREWITH IS NOT TO BE REPRODUCED USED OR DISCLOSED IN WHOLE OR IN PART TO ANYONE WITHOUT THE PERMISSION OF JESS-LINK PRODUCTS CO.,LTD.(JPC)				CUSTOMER DRAWING DRWC-XXXXXX		REV.	ECN NO.	DESCRIPTION	MDF'D	APP'D	DATE
						01		INITIAL DESIGN	Philip	Richard	07/12/2023
						02					
						03					



NOTES:

MATERIAL:

CONNECTOR: M12 X-CODE MALE  
 HOUSING: PBT UL94V-0 BLACK  
 CONTACT: BRASS, 10 MICRO INCHES MIN. GOLD FLASH  
 NUT: BRASS, NICKEL PLATED  
 SHELL: ZN ALLOY, NICKEL PLATED  
 BACK SHELL: BRASS, NICKEL PLATED

CONNECTOR: RJ45 8P8C(CAT.5E)  
 HOUSING: PC UL94V-2  
 CONTACT: PHOSPHOR BRONZE FINE GOLD  
 SHIELD: PLATED OVER NICKEL  
 APPLICATION: 26AWG STRANDED

MOLDING HOOD: POLYVINYL CHLORIDE (PVC), BLACK

ELECTRONIC:

RATED VOLTAGE: 30V  
 RATED CURRENT: 0.5A

APPLICATION:

WATER PROOF IS IP67(MATED)

ENVIRONMENTAL:

OPERATING TEMPERATURE RANGE: -10°C TO 75°C  
 CABLE JACKET RESISTANCE: TYPE CM FLAME

TESTING CONDITION:

CONDUCTIVE RESISTANCE 2 Ohm Max.  
 INSULATION RESISTANCE 20M Ohm Min  
 WITH DC200V DURING 0.05second.

WIRE LIST

P1		P2
1	WHITE/ORANGE	1
2	ORANGE	2
3	WHITE/GREEN	3
4	GREEN	6
5	WHITE/BROWN	7
6	BROWN	8
7	WHITE/BLUE	5
8	BLUE	4
Shell	BRAID	Shell

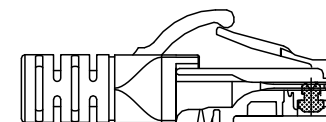


TABLE A

JPC P/N	Length(mm)
PZBQKB030-002	3000 <sup>+30</sup> <sub>0</sub>
PZBQKB050-002	5000 <sup>+50</sup> <sub>0</sub>

RoHS COMPLIANT	Unit:mm(inch)	PROJECTION	ZCables.com	
	GENERAL TOLERANCES: (UNLESS SPECIFIED)	D.R. 07/12/2023	PD./FILE NO.	
	0 =±1 (0.039)	Philip	TITLE	
	0.0 =±.5 (0.02)	CH.K 07/12/2023	M12 X Code 8 Pin Male ToRJ45 Plug FTP CAT5e Cable	
0.000=±.15(0.006)	Philip	SCALE	SIZE	PART NO.
0° =± 2'	APV.D 07/12/2023	1:1	A4	PZBQKBXXX-002
0.0° =± 1"	Richard			REV. 01
				SHEET 1 OF 1