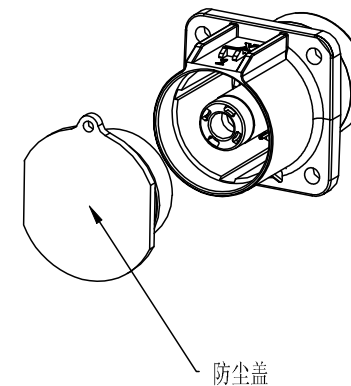
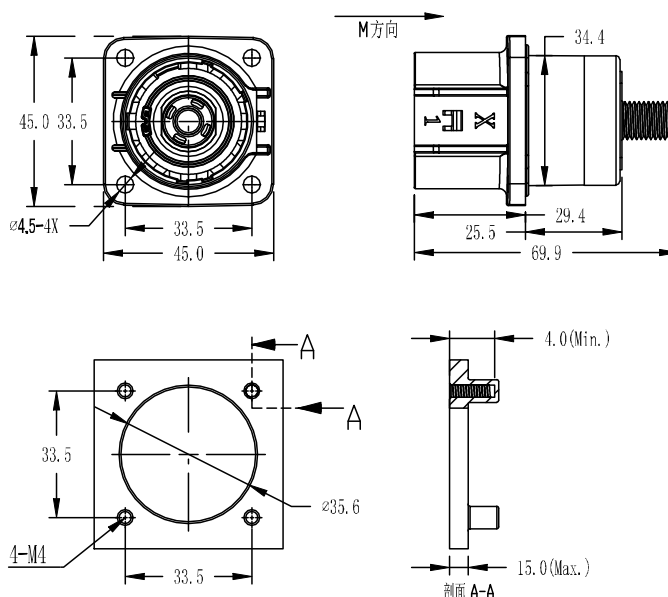


1	2	3	4	5	6	7	8				
THIS DRAWING AND THE DATA DISCLOSED HEREIN OR HEREWITH IS NOT TO BE REPRODUCED USED OR DISCLOSED IN WHOLE OR IN PART TO ANYONE WITHOUT THE PERMISSION OF JESS-LINK PRODUCTS CO.,LTD.(JPC)				CUSTOMER DRAWING DRWC-XXXXXX		REV.	ECN NO.	DESCRIPTION	MDF'D	APP'D	DATE
						01		INITIAL DESIGN	Philip	Richard	10/04/2023
						02					
						03					

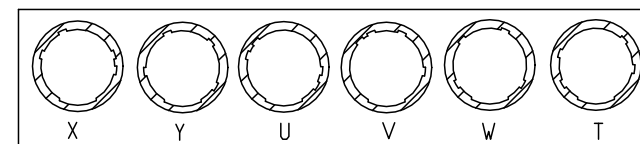
Standard Part List
产品型号表

JPCN-TL00X-500-20M8	X
JPCN-TL00Y-500-20M8	Y
JPCN-TL00U-500-20M8	U
JPCN-TL00V-500-20M8	V
JPCN-TL00W-500-20M8	W
JPCN-TL00T-500-20M8	T
JPCN-TL00X-500-20M10	X
JPCN-TL00Y-500-20M10	Y
JPCN-TL00U-500-20M10	U
JPCN-TL00V-500-20M10	V
JPCN-TL00W-500-20M10	W
JPCN-TL00T-500-20M10	T



Ordering Information

JPCN-TL00	X	- 500 -	20	M10
key&Color	高压互锁 HVIL	端子类型 type	接线孔类型&大小 Size	
"X" orange;	"1" 带高压互锁;	"20" 螺柱;	M10 or W8;	
"Y" Black;	"0" 不带高压互锁;			
"U" Yellow;				
"V" Green;				
"W" Red;				
"T" Blue;				



M方向键位示意图

- Notices:
 1. All non-dimensioned surfaces according to 3D-model
 2. Planeness of panel surface should less than or equal to 0.1mm
 3. Roughness of panel surface should be $\sqrt{6.3}$ or better
 4. Thickness of panel should not exceed 15mm.

规格参数(Spec.):

1. 工作温度 Operating temperature: -40°C~+125°C.
2. 带高压互锁 Electrical interlock (HVIL).
3. 额定电流 Current rating: Power: 450 A; HVIL: 5A.
4. 额定电压 Operating voltage: Power: 1000 VDC; Signal: 60 VDC.
5. 耐压 Dielectric withstanding voltage:
 - A. 与插头对插后, Pin与铁壳之间 After mating, between Pin and metal shell: 5000 VDC.
 - B. 与插头对插后, Pin与HVIL之间 After mating, between Pin and HVIL: 5000 VDC.
 - C. 与插头对插后, HVIL与铁壳之间 After mating, between HVIL and metal shell: 500 VDC.
 - D. 与插头对插前, 两个HVIL端子之间 Before mating, between two HVIL: 500 VDC.
6. 防护等级 Protection class: IP67
7. 电磁屏蔽 Shielding.
8. 机械寿命 Mating cycle: 100 Min.
9. 带自动二次锁扣 Automatic secondary lock.
10. 推荐安装扭矩 Recommended Fasten Torque on lug:

M6:	3.6~4.4 Nm
M8:	7.2~8.8 Nm
M10:	17.1~20.9 Nm
11. 推荐法兰盘螺丝安装扭矩 Recommended Screw Assembly Torque on Flange: 1.6~2.4 Nm
12. 配对插头. Mating plug: See drawing "JPCN-TL28/18X-500/501-XX".

RoHS COMPLIANT	Unit:mm(inch)	PROJECTION	ZCables.com	
	GENERAL TOLERANCES: (UNLESS SPECIFIED)	D.R. 10/04/2023	PD./FILE NO.	
	0 =±1 (0.039)	Philip	TITLE	
	0.0 =±1.5 (0.02)	CH.K 10/04/2023	TL500 Receptacle Threaded Pin	
0.00 =±.3 (0.012)	Philip	SCALE	SIZE	PART NO.
0.000 =±.15 (0.006)	APV.D 10/04/2023	1:1	A4	JPCN-TL00X-500-20XXX
0° =± 2'	Richard			REV. 01
0.0° =± 1'				SHEET 1 OF 1