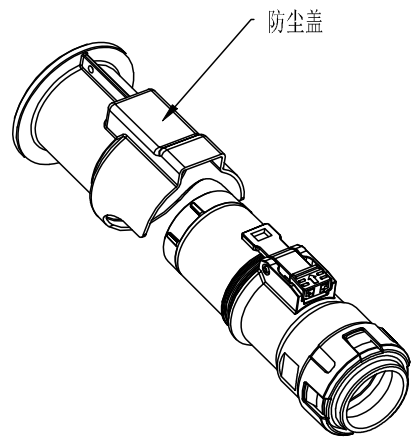
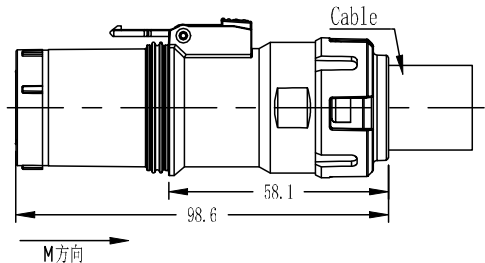
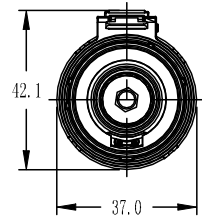


Standard Part List
产品型号表

Model No.	Accepted Wire DD	Model No.	Accepted Wire DD
JPCN-TL18X-501-95	20.6~21.1	JPCN-TL18X-500-95	20.6~21.1
JPCN-TL18Y-501-95		JPCN-TL18Y-500-95	
JPCN-TL18U-501-95		JPCN-TL18U-500-95	
JPCN-TL18V-501-95		JPCN-TL18V-500-95	
JPCN-TL18W-501-95		JPCN-TL18W-500-95	
JPCN-TL18T-501-95		JPCN-TL18T-500-95	
JPCN-TL18X-501-120	22.4~22.9	JPCN-TL18X-500-120	22.4~22.9
JPCN-TL18Y-501-120		JPCN-TL18Y-500-120	
JPCN-TL18U-501-120		JPCN-TL18U-500-120	
JPCN-TL18V-501-120		JPCN-TL18V-500-120	
JPCN-TL18W-501-120		JPCN-TL18W-500-120	
JPCN-TL18T-501-120		JPCN-TL18T-500-120	
JPCN-TL18X-501-135	23.3~23.8	JPCN-TL18X-500-135	23.3~23.8
JPCN-TL18Y-501-135		JPCN-TL18Y-500-135	
JPCN-TL18U-501-135		JPCN-TL18U-500-135	
JPCN-TL18V-501-135		JPCN-TL18V-500-135	
JPCN-TL18W-501-135		JPCN-TL18W-500-135	
JPCN-TL18T-501-135		JPCN-TL18T-500-135	

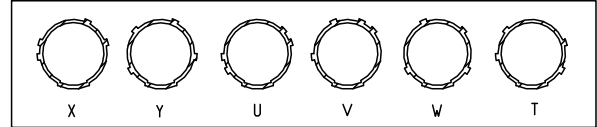


Ordering Information

JPCN-TL18	X	-	50	1	-	120
Key&Color	高压互锁 HVIL	线缆大小 cable size				
X, Orange	0, 不带互锁 No HVIL	*95*=95mm ²				
Y, Black	1, 带互锁 With HVIL	*120*=120mm ²				
U, Yellow		*135*=135mm ²				
V, Green						
W, Red						
T, Blue						

规格参数(Spec.):

1. 工作温度 Operating temperature: -40°C ~ +125°C.
2. 带高压互锁 Electrical interlock (HVIL).
3. 额定电流 Current rating: Power: 450 A; HVIL: 5A.
4. 额定电压 Operating voltage: Power: 1000 VDC; Signal: 60 VDC.
5. 耐压 Dielectric withstanding voltage:
 - A. 与插头对插后, Pin与铁壳之间 After mating, between Pin and metal shell: 5000 VDC.
 - B. 与插头对插后, Pin与HVIL之间 After mating, between Pin and HVIL: 5000 VDC.
 - C. 与插头对插后, HVIL与铁壳之间 After mating, between HVIL and metal shell: 500 VDC.
 - D. 与插头对插前, 两个HVIL端子之间耐压 Befor mating, between two HVIL: 500 VDC.
6. 防护等级 Protection class: IP67
7. 电磁屏蔽 Shielding.
8. 机械寿命 Mating cycle: 100 Min.
9. 带自动二次锁扣 Automatic secondary lock.
10. 配对插座 Mating receptacle: See drawing "JPCN-TL00X-500-20XXX".



M方向键位示意图

RoHS COMPLIANT	Unit:mm(inch)	PROJECTION	ZCables.com	
	GENERAL TOLERANCES: (UNLESS SPECIFIED)	D.R. 10/04/2023	TITLE TL500 Straight Plug	
	0 ±1 (0.039)	Philip		
	0.0 ±1.5 (0.02)	CH.K 10/04/2023	SCALE	SIZE
0.00 ±0.3 (0.012)	Philip	1:1	A4	JPCN-TL18X-500(1)-XX
0.000 ±0.15 (0.006)	APV.D 10/04/2023			REV. 01
0 ±2	Richard			SHEET 1 OF 1
0.0 ±1				