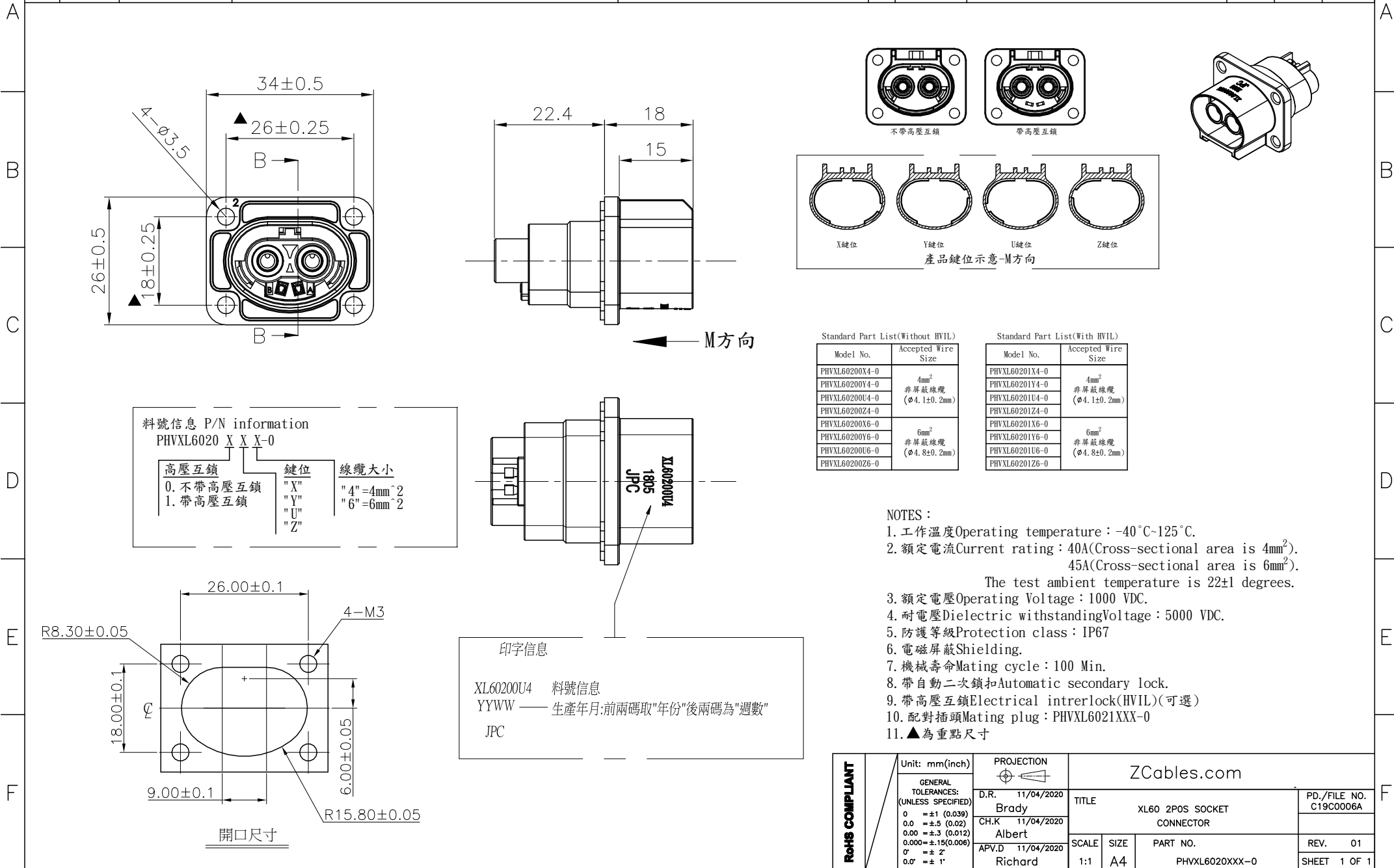


1	2	3	4	5	6	7	8				
THIS DRAWING AND THE DATA DISCLOSED HEREIN OR HEREWITH IS NOT TO BE REPRODUCED USED OR DISCLOSED IN WHOLE OR IN PART TO ANYONE WITHOUT THE PERMISSION OF JESS-LINK PRODUCTS CO.,LTD.(JPC)				CUSTOMER DRAWING DRWC-008506		REV.	ECN NO.	DESCRIPTION	MDF'D	APP'D	DATE
						01		INITIAL DESIGN	Brady	Richard	11/04/2020
						02					
						03					



料號信息 P/N information
PHVXL6020 X X X X-0

高壓互鎖	鍵位	線纜大小
0. 不帶高壓互鎖	"X"	"4"=4mm ²
1. 帶高壓互鎖	"Y"	"6"=6mm ²
	"U"	
	"Z"	

印字信息

XL60200U4 料號信息
YYWW — 生產年月:前兩碼取"年份"後兩碼為"週數"
JPC

Standard Part List(Without HVIL)

Model No.	Accepted Wire Size
PHVXL60200X4-0	4mm ²
PHVXL60200Y4-0	非屏蔽線纜 (Ø4.1±0.2mm)
PHVXL60200U4-0	非屏蔽線纜 (Ø4.1±0.2mm)
PHVXL60200Z4-0	非屏蔽線纜 (Ø4.1±0.2mm)
PHVXL60200X6-0	6mm ²
PHVXL60200Y6-0	非屏蔽線纜 (Ø4.8±0.2mm)
PHVXL60200U6-0	非屏蔽線纜 (Ø4.8±0.2mm)
PHVXL60200Z6-0	非屏蔽線纜 (Ø4.8±0.2mm)

Standard Part List(With HVIL)

Model No.	Accepted Wire Size
PHVXL60201X4-0	4mm ²
PHVXL60201Y4-0	非屏蔽線纜 (Ø4.1±0.2mm)
PHVXL60201U4-0	非屏蔽線纜 (Ø4.1±0.2mm)
PHVXL60201Z4-0	非屏蔽線纜 (Ø4.1±0.2mm)
PHVXL60201X6-0	6mm ²
PHVXL60201Y6-0	非屏蔽線纜 (Ø4.8±0.2mm)
PHVXL60201U6-0	非屏蔽線纜 (Ø4.8±0.2mm)
PHVXL60201Z6-0	非屏蔽線纜 (Ø4.8±0.2mm)

- NOTES :
- 工作溫度Operating temperature : -40°C~125°C.
 - 額定電流Current rating : 40A(Cross-sectional area is 4mm²).
45A(Cross-sectional area is 6mm²).
The test ambient temperature is 22±1 degrees.
 - 額定電壓Operating Voltage : 1000 VDC.
 - 耐電壓Dielectric withstanding Voltage : 5000 VDC.
 - 防護等級Protection class : IP67
 - 電磁屏蔽Shielding.
 - 機械壽命Mating cycle : 100 Min.
 - 帶自動二次鎖扣Automatic secondary lock.
 - 帶高壓互鎖Electrical interlock(HVIL)(可選)
 - 配對插頭Mating plug : PHVXL6021XXX-0
 - ▲為重點尺寸

RoHS COMPLIANT	Unit: mm(inch)	PROJECTION	ZCables.com	
	GENERAL TOLERANCES: (UNLESS SPECIFIED)	D.R. 11/04/2020	TITLE	PD./FILE NO.
	0 = ±1 (0.039)	Brady	XL60 2POS SOCKET CONNECTOR	C19C0006A
	0.0 = ±5 (0.02)	CH.K 11/04/2020	SCALE	REV. 01
0.00 = ±3 (0.012)	Albert	SIZE	SHEET 1 OF 1	
0.000 = ±15(0.006)	APV.D 11/04/2020	1:1	PART NO.	PHVXL6020XXX-0
0° = ±2'	Richard	A4		
0.0° = ±1'				