

M12 to RJ45 Ethernet Cable



M12 to RJ45 Ethernet

M12 X-Code 8pin Plug Male to RJ45, Cat.5E, PUR, 3M Cable (High Flex)

Technical Data

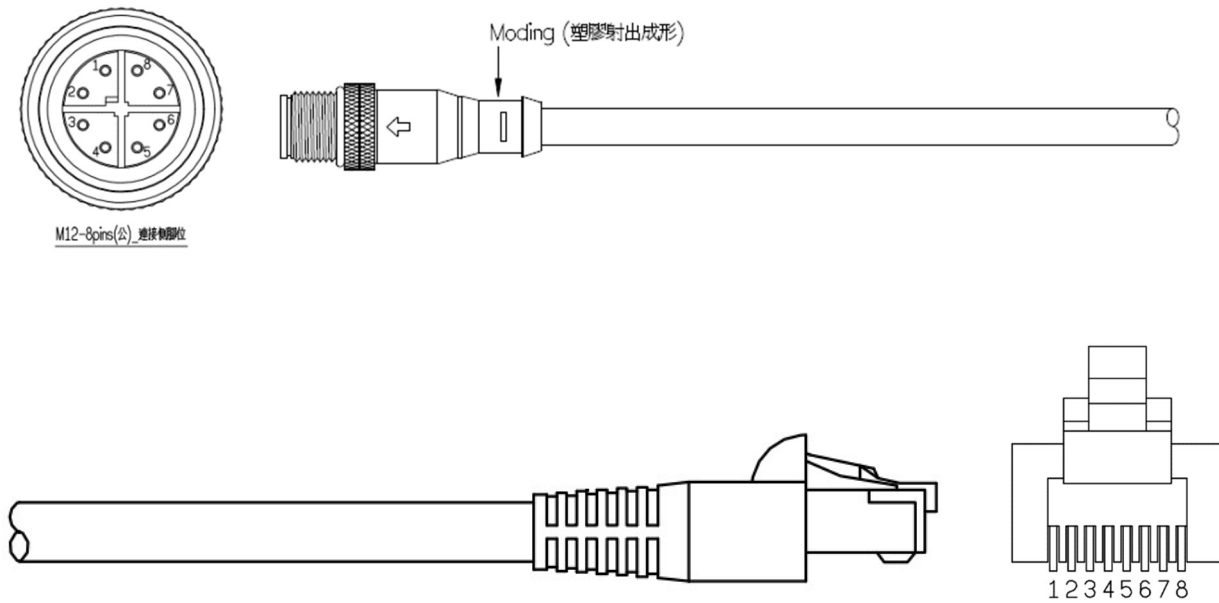
Part Number	PZBJKB030-0002
Cable Jacket	PUR
Drag Chain Cycles	10,000,000 Cycles
Cable Length	3M
Connector (Side A)	M12 X Code 8 pin
Connector (side B)	RJ45 Plug
Transfer Parameters	Cat. 5e
Cross Section of Wire	26AWG

Application

Industrial Ethernet

M12 to RJ45 Ethernet

Outline



Circuit Diagram

