

M12 to M12 Ethernet Cable



M12 to M12 Ethernet

M12 A-Code 4pin Plug Male to M12 A-Code 4pin Plug Male, Cat.5E, PUR, 3M Cable (High Flex)

Technical Data

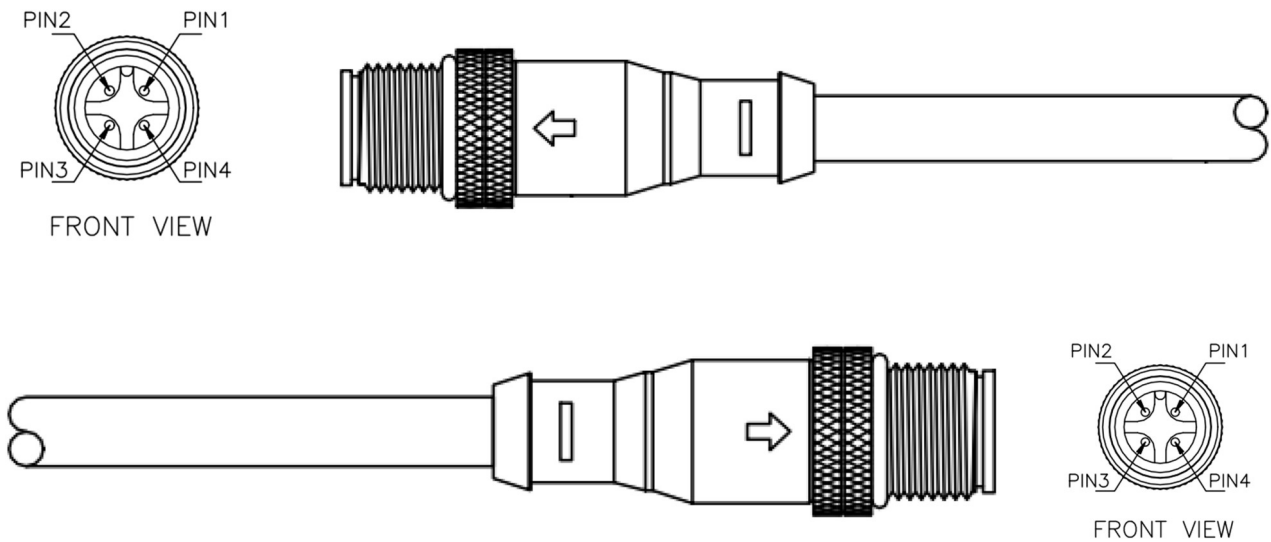
Part Number	PZBJKD030-0001
Cable Jacket	PUR
Drag Chain Cycles	10,000,000 Cycles
Cable Length	3M
Connector (Side A)	M12 A Code 4 pin
Connector (side B)	M12 A Code 4 pin
Transfer Parameters	Cat. 5e
Cross Section of Wire	26AWG

Application

Industrial Ethernet

M12 to M12 Ethernet

Outline



Circuit Diagram

