

## M12 to M12 Ethernet cable



## M12 to M12 Ethernet

M12 A-Code 4pin Plug Male to M12 A-Code 4pin Plug Male, Cat.5E, PUR, 5M Cable (High Flex)

### Technical Data

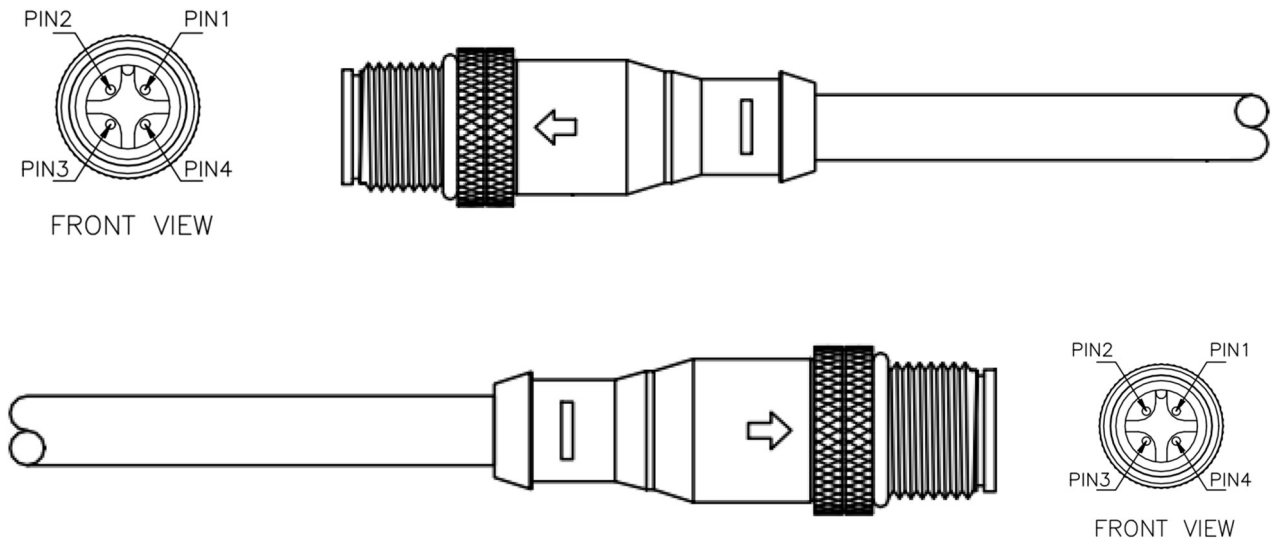
Part Number	PZBJTD050-0002
Cable Jacket	PUR
Drag Chain Cycles	10,000,000 Cycles
Cable Length	5M
Connector (Side A)	M12 A Code 4 pin
Connector (Side B)	M12 A Code 4 pin
Transfer Parameters	Cat. 5e
Cross Section of Wire	26AWG

### Application

Industrial Ethernet

## M12 to M12 Ethernet

### Outline



### Circuit Diagram

