

M12 to M12 Ethernet cable



M12 to M12 Ethernet

M12 X-Code 8pin Plug Male to M12 X-Code 8pin Plug Male, Cat.5E, PVC, 3M/5M Cable

Technical Data

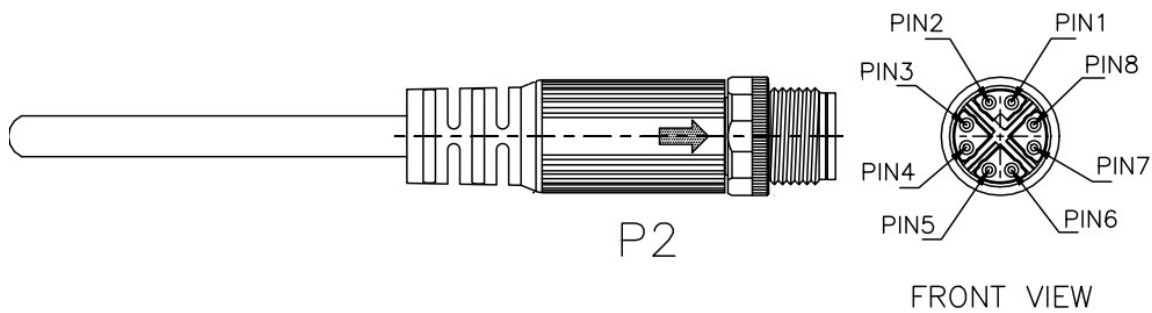
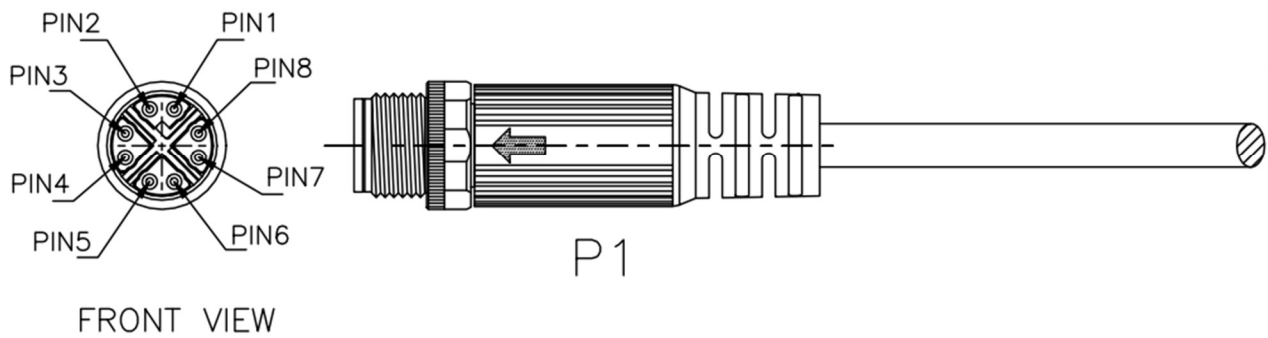
Part Number	PZBQCD030-002 PZBQCD050-002
Cable Jacket	PVC
Cable Length	PZBQCD030-002: 3M PZBQCD050-002: 5M
Connector (Side A)	M12 X Code 8 pin Male Contact
Connector (Side B)	M12 X Code 8 pin Male Contact
Transfer Parameters	Cat. 5e

Application

Industrial Ethernet

M12 to M12 Ethernet

Outline



Circuit Diagram

