

## M12 to RJ45 Ethernet Cable



## M12 to RJ45 Ethernet

M12 X-Code 8pin Plug Male to RJ45, Cat.5e, PVC, 3M/5M Cable

### Technical Data

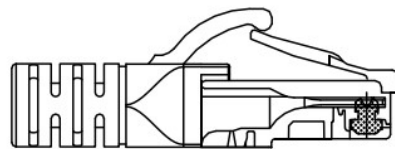
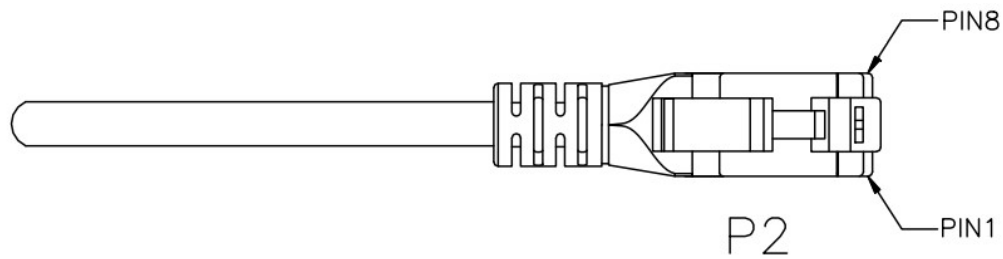
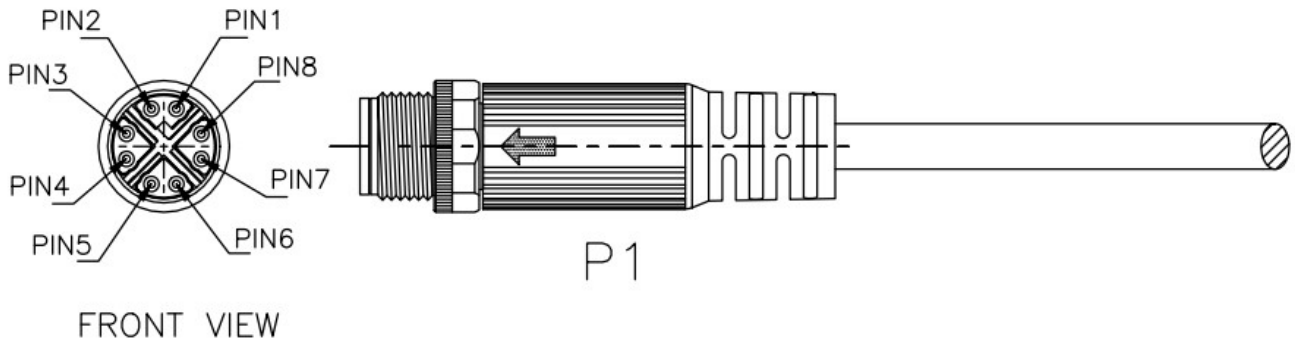
Part Number	PZBQKB030-002 PZBQKB050-002
Cable Jacket	PVC
Cable Length	PZBQKB030-002: 3M PZBQKB050-002: 5M
Connector (Side A)	M12 X Code 8 pin Male Contact
Connector (Side B)	RJ45 Plug
Transfer Parameters	Cat. 5e
Cross Section of Wire	24 or 26AWG

### Application

Industrial Ethernet

## M12 to RJ45 Ethernet

### Outline



### Circuit Diagram

