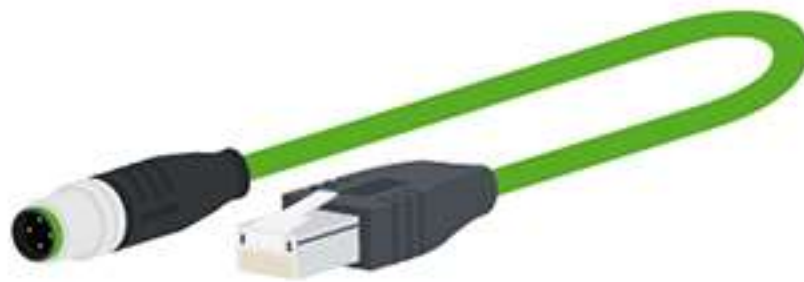


M12 to RJ45 Ethernet Cable



M12 to RJ45 Ethernet

M12 X-Code 8pin Plug Male to RJ45, Cat.6A, TPU, 3M/5M Cable

Technical Data

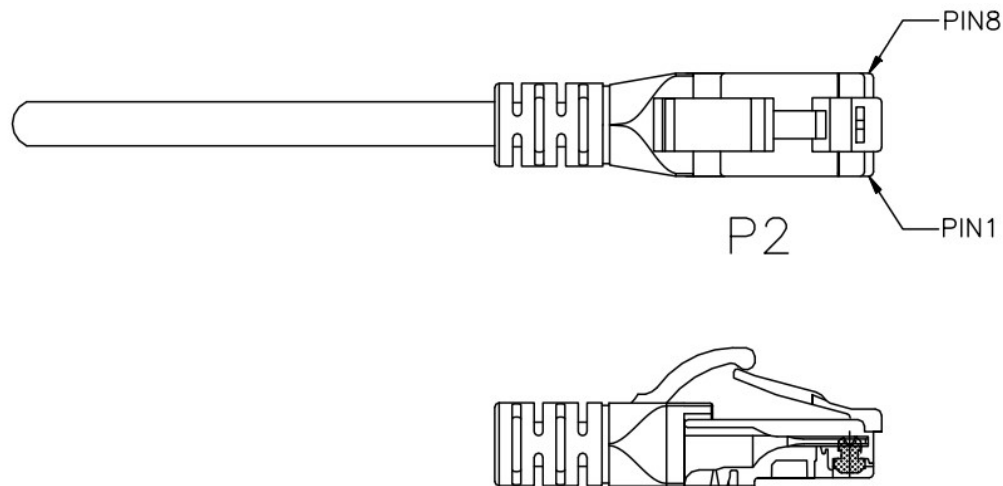
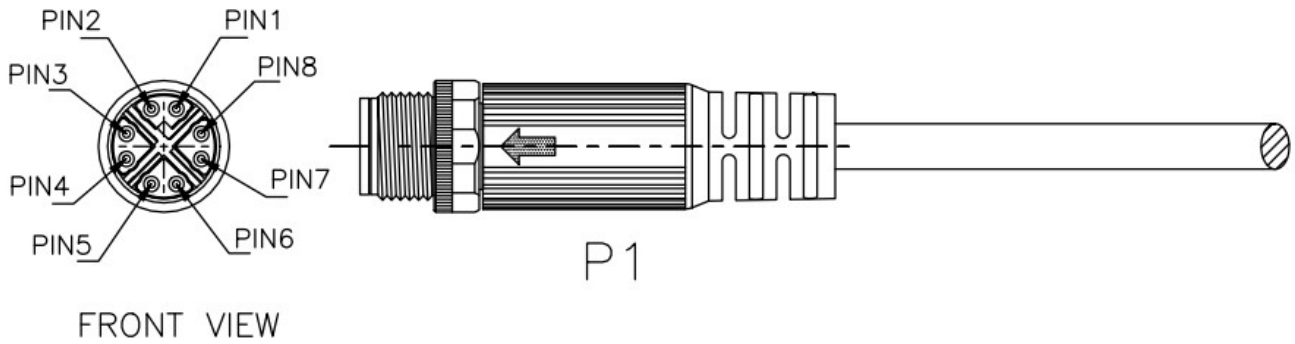
Part Number	PZBQKB030-003 PZBQKB050-003
Cable Jacket	TPU
Cable Length	PZBQKB030-003: 3M PZBQKB050-003: 5M
Connector (Side A)	M12 X Code 8 pin Male Contact
Connector (Side B)	RJ45 Plug
Transfer Parameters	Cat. 6A
Cross Section of Wire	26AWG

Application

Industrial Ethernet

M12 to RJ45 Ethernet

Outline



Circuit Diagram

