

THIS DRAWING AND THE DATA DISCLOSED HEREIN OR HEREWITH IS NOT TO BE REPRODUCED USED OR DISCLOSED IN WHOLE OR IN PART TO ANYONE WITHOUT THE PERMISSION OF JESS-LINK PRODUCTS CO.,LTD.(JPC)

CUSTOMER DRAWING
DRWC-XXXXXX

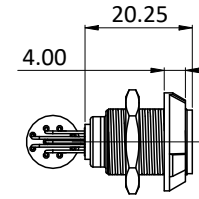
REV.	ECN NO.	DESCRIPTION	MDF'D	APP'D	DATE
01		INITIAL DESIGN	Philip	Richard	11/03/2023
02					
03					

Snap latch assembly model name description :

R - M B3 - G - 8 P 3 2 - 0 0 0 7 - G

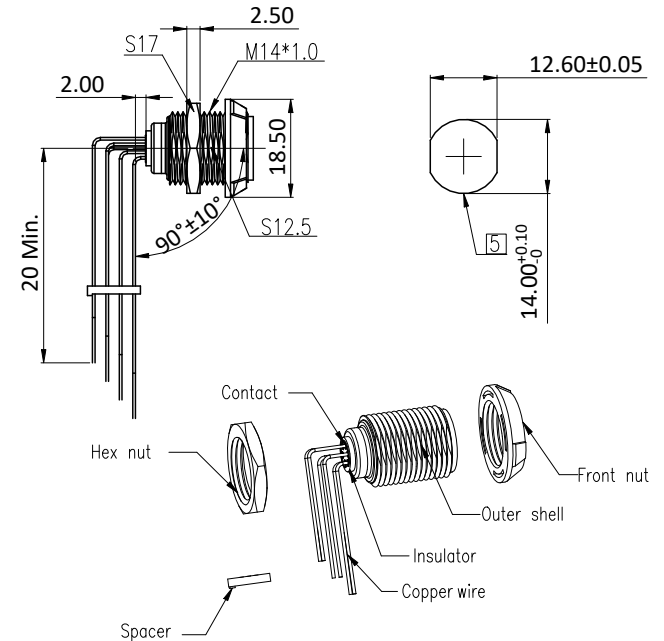
- 1 Bonded _____
- 2 Medical _____
- 3 Style B3=PK (Receptacle with two nuts, with 90° contacts for printed circuit) (back panel mounting) ----- Solder termination
- 4 Outer shell Material **G=Grey PSU**
B=Black PSU
M=White PSU
F=Black PEI
P=Grey PEI
- 5 Front nut material
0=Black
1=White
2=Red
4=Yellow
5=Green
6=Blue
8=Grey
- 6 Insulator **P=PEEK**
- 7 Contact diameter
1=1.3mm (only for 2;3 pin)
2=0.9mm (only for 4;5 pin)
3=0.7mm (only for 6;7;8 pin)
4=0.5mm (only for 9;10;12;14 pin)
- 8 Contact plating
1=Gold plated 1u"
2=Gold plated 20u"
3=Gold plated 30u"
- 9 Cable collet **0=No cable collet**
- 10 Coding **0= 0°**
A= 40°
C= 60°
E= 80°
H= 170°
S= 190°
J= 205°
- 11 Number of contacts
02= 2 Pin
03= 3 Pin
04= 4 Pin
05= 5 Pin
06= 6 Pin
07= 7 Pin
08= 8 Pin
09= 9 Pin
10= 10 Pin
12= 12 Pin
14= 14 Pin

Positions	View from termination side
2 Pin	
3 Pin	
4 Pin	
5 Pin	
6 Pin	
7 Pin	
8 Pin	
9 Pin	
10 Pin	
12 Pin	
14 Pin	



Notes :

- Material
Outer shell : **PSU**/PEI
Insulator : PEEK
Contact : copper alloy
Hex nut : copper alloy
Copper wire : copper alloy
Front nut : **PSU**/PEI
Spacer : LCP
- Number of contact : 2 to 14 position
- All dimensions are in millimeters.
- Rohs directive compliance
 Panel hole

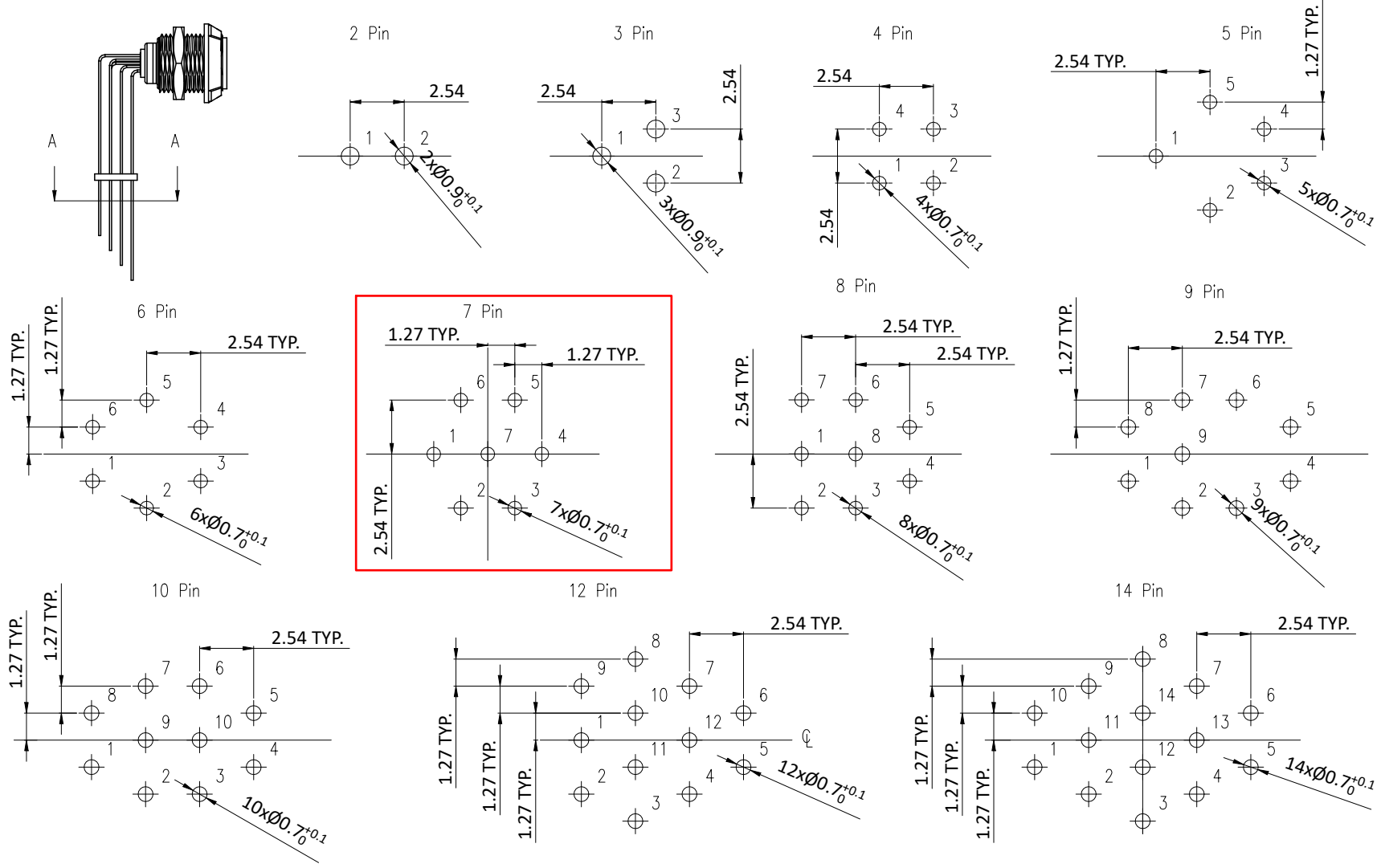


RoHS COMPLIANT	Unit:mm(inch)	PROJECTION 	ZCables.com	
	GENERAL TOLERANCES: (UNLESS SPECIFIED)	D.R. 11/03/2023		
	0 =±1 (0.039)	Philip	1P Plastic Series, Grey, 7 Pin, Receptacle, Female Contact, Right Angle, Print(PCB Type), Snap Latch, IP50(Mating) Connector	
	0.0 =±.5 (0.02)	CH.K 11/03/2023	SCALE	SIZE
0.00 =±.3 (0.012)	Philip	1:1	A4	SHEET 1 OF 2
0.000=±.15(0.006)	APV.D 11/03/2023	PART NO.	PZACF1PXD19072	
0° =± 2°	Richard			
0.0° =± 1°				

THIS DRAWING AND THE DATA DISCLOSED HEREIN OR HEREWITH IS NOT TO BE REPRODUCED USED OR DISCLOSED IN WHOLE OR IN PART TO ANYONE WITHOUT THE PERMISSION OF JESS-LINK PRODUCTS CO.,LTD.(JPC)

CUSTOMER DRAWING
DRWC-XXXXXX

REV.	ECN NO.	DESCRIPTION	MDF'D	APP'D	DATE
01		INITIAL DESIGN	Philip	Richard	11/03/2023
02					
03					



Scale 5:1

Note:
For 90° elbow contacts, see from a-a view.

RoHS COMPLIANT	Unit:mm(inch)	PROJECTION	ZCables.com			
	GENERAL TOLERANCES: (UNLESS SPECIFIED)					
	0 = ±1 (0.039)	D.R. 11/03/2023	TITLE	PD./FILE NO.		
	0.0 = ±.5 (0.02)	Philip	1P Plastic Series, Grey, 7 Pin, Receptacle, Female Contact, Right Angle, Print(PCB Type), Snap Latch, IP50(Mating) Connector			
0.00 = ±.3 (0.012)	CH.K 11/03/2023	Philip	SCALE	SIZE	PART NO.	REV.
0.000 = ±.15(0.006)	APV.D 11/03/2023	Richard	1:1	A4	PZACF1PXD19072	01
σ = ± 2°						
0.0° = ± 1°						SHEET 2 OF 2