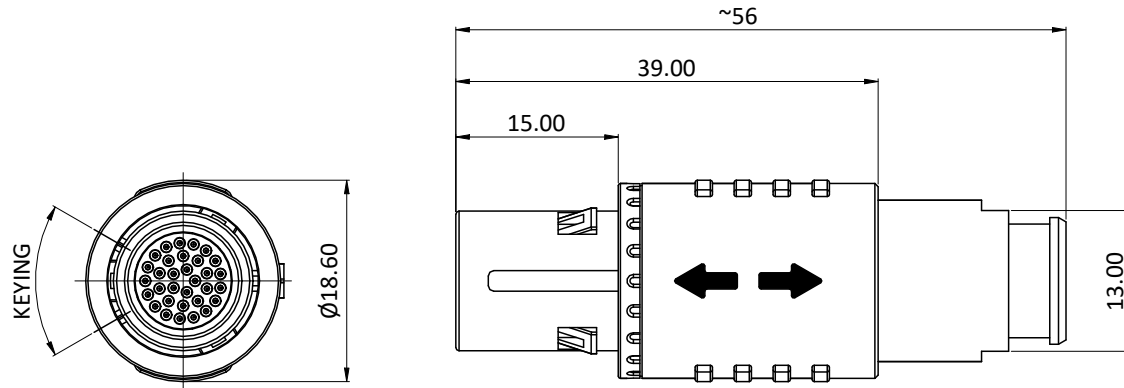


THIS DRAWING AND THE DATA DISCLOSED HEREIN OR HEREWITH IS NOT TO BE REPRODUCED USED OR DISCLOSED IN WHOLE OR IN PART TO ANYONE WITHOUT THE PERMISSION OF JESS-LINK PRODUCTS CO.,LTD.(JPC)

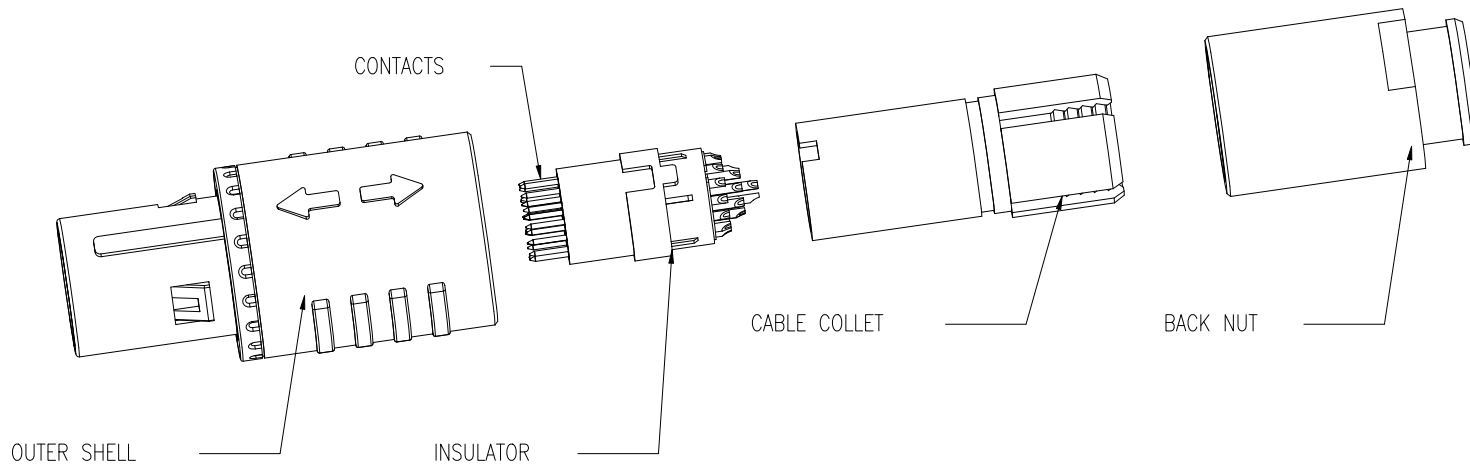
CUSTOMER DRAWING
DRWC-XXXXXX

REV.	ECN NO.	DESCRIPTION	MDF'D	APP'D	DATE
01		INITIAL DESIGN	Philip	Richard	11/03/2023
02					
03					



NOTES :

- MATERIAL
 OUTER SHELL : PSU/PEI/PPSU
 INSULATOR : PEEK
 CONTACT : COPPER ALLOY
 CABLE COLLET : PSU/PEI/PPSU
 NUT : PSU/PEI/PPSU
- PLATING : Au ALL OVER Ni
- ALL DIMENSIONS ARE IN MILLIMETERS
- INGRESS PROTECTION : IP50
- ENDURANCE : 1000 CYCLES
- WORKING TEMPERATURE : -50~150°C (PSU)
 -50~170°C (PEI)
 -50~180°C (PPSU)
- AVERAGE RETENTION FORCE FOR STRAIGHT PLUG
 PULL ON THE BACK NUT : 100N MIN.
- TORQUE : 0.5N·m MAX.
- RoHS DIRECTIVE COMPLIANCE.
- IF OUTER SHELL IS PPSU, THE CABLE COLLET AND NUT MUST BE PPSU.



RoHS COMPLIANT	Unit:mm(inch)	PROJECTION 	ZCables.com		PD./FILE NO.
	GENERAL TOLERANCES: (UNLESS SPECIFIED)				
	0 =±1 (0.039)	D.R. 11/03/2023 Philip	2P Plastic Series, Grey, 26 Pin, Plug, Male	REV. 01	
	0.0 =±.5 (0.02)	CH.K 11/03/2023 Philip	Contact, Straight, Solder, Snap Latch, IP50(Mating) Connector		
0.00 =±.3 (0.012)	APV.D 11/03/2023 Richard	SCALE	SIZE	PART NO.	SHEET 11 OF 3
0.000 =±.15(0.006)		1:1	A4	PZACF2PXA19261	
0° =± 2'					
0.0° =± 1'					

THIS DRAWING AND THE DATA DISCLOSED HEREIN OR HEREWITH IS NOT TO BE REPRODUCED USED OR DISCLOSED IN WHOLE OR IN PART TO ANYONE WITHOUT THE PERMISSION OF JESS-LINK PRODUCTS CO.,LTD.(JPC)

CUSTOMER DRAWING
DRWC-XXXXXX

REV.	ECN NO.	DESCRIPTION	MDF'D	APP'D	DATE
01		INITIAL DESIGN	Philip	Richard	11/03/2023
02					
03					

R - M M 3 G 8 P A 2 2 B 2 6 G

1 BONDED

2 KIND

M=MEDICAL

3 STYLE

M3=Straight Plug with cable collet and nut for fitting a bend relief

4 OUTER SHELL MATERIAL

- G=GREY PSU
- B=BLACK PSU
- F=BLACK PEI
- P=GREY PEI
- K=GREY PPSU
- M=BLACK PPSU

5 NUT COLOUR

- 0=BLACK
- 1=WHITE
- 2=RED
- 4=YELLOW
- 5=GREEN
- 6=BLUE
- 8=GREY

11 NUMBER OF CONTACTS

- 02=2PIN 06=6PIN 12=12PIN
- 03=3PIN 07=7PIN 16=16PIN
- 04=4PIN 08=8PIN 19=19PIN 32=32PIN
- 05=5PIN 10=10PIN 26=26PIN 34=34PIN

10 KEYING

- B=60° H=80° J=90° C=100° D=110°

9 CABLE COLLET

- 1=∅5.2mm (CABLE∅=3.2~5.2mm)
- 2=∅7.2mm (CABLE∅=5.3~7.2mm)
- 3=∅9.2mm (CABLE∅=7.3~9.2mm)

8 CONTACT PLATING

- 1=GOLD PLATED 1u''
- 2=GOLD PLATED 20u''

7 CONTACT TYPE

A=MALE TO SOLDER

6 INSULATOR

P=PEEK

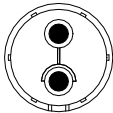
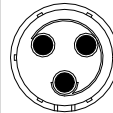
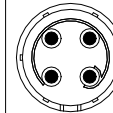
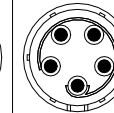
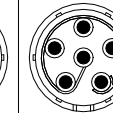
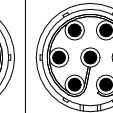
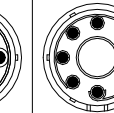
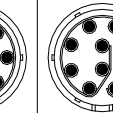
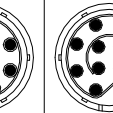
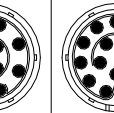
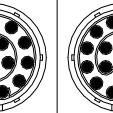
NOTES:

THE COLOR OF THE BACK NUT FOR THE M3 TYPE IS SAME AS THE OUTER SHELL, AVAILABLE COLORS ARE GREY OR BLACK ONLY.

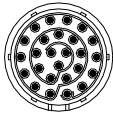
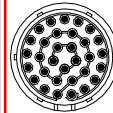
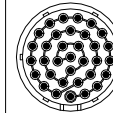
RoHS COMPLIANT	Unit:mm(inch)	PROJECTION 	ZCables.com	
	GENERAL TOLERANCES: (UNLESS SPECIFIED)			
	0 =±1 (0.039)	D.R. 11/03/2023 Philip	TITLE 2P Plastic Series, Grey, 26 Pin, Plug, Male Contact, Straight, Solder, Snap Latch, IP50(Mating) Connector	REV. 01
	0.0 =±.5 (0.02)	CH.K 11/03/2023 Philip	SCALE SIZE PART NO. 1:1 A4 PZACF2PXA19261	SHEET 21 OF 3

THIS DRAWING AND THE DATA DISCLOSED HEREIN OR HEREWITH IS NOT TO BE REPRODUCED USED OR DISCLOSED IN WHOLE OR IN PART TO ANYONE WITHOUT THE PERMISSION OF JESS-LINK PRODUCTS CO.,LTD.(JPC)			CUSTOMER DRAWING DRWC-XXXXXX			REV.	ECN NO.	DESCRIPTION	MDF'D	APP'D	DATE
						01		INITIAL DESIGN	Philip	Richard	11/03/2023
						02					
						03					

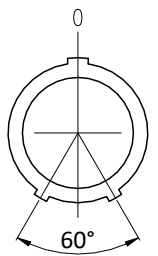
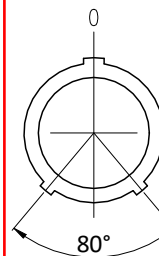
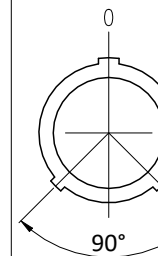
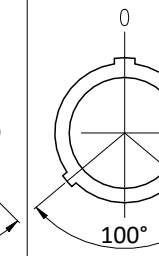
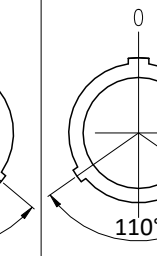
INSERT DATA SHEET

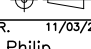
NUMBER OF CONTACTS	2	3	4	5	6	7	8	10	12	16	19
VIEW FROM TERMINATION SIDE											
CONTACT ϕ (mm)	2.0	1.6	1.3	1.3	1.3	1.3	0.9	0.9	0.7	0.7	0.7
SOLDER BUCKET ϕ (mm)	1.8	1.4	1.0	1.0	1.0	1.0	0.8	0.8	0.8	0.8	0.8
RATED CURRENT(A)	30	17	15	14	12	11	10	8.0	7.0	6.0	5.0

INSERT DATA SHEET

NUMBER OF CONTACTS	26	32	34
VIEW FROM TERMINATION SIDE			
CONTACT ϕ (mm)	0.5	0.5	0.5
SOLDER BUCKET ϕ (mm)	0.4	0.4	0.4
RATED CURRENT(A)	2.0	1.5	1.5

ALIGNMENT KEY

KEYING (PLUG FRONT VIEW)					
REFERENCE	B	H	J	C	D

RoHS COMPLIANT	Unit:mm(inch)	PROJECTION 	ZCables.com		PD./FILE NO.	
	GENERAL TOLERANCES: (UNLESS SPECIFIED)	D.R. 11/03/2023 Philip				TITLE 2P Plastic Series, Grey, 26 Pin, Plug, Male Contact, Straight, Solder, Snap Latch, IP50(Mating) Connector
	0 =±1 (0.039) 0.0 =±.5 (0.02) 0.00 =±.3 (0.012) 0.000=±.15(0.006)	CH.K 11/03/2023 Philip	SCALE	SIZE	PART NO.	REV. 01
	0° =± 2° 0.0° =± 1°	APV.D 11/03/2023 Richard	1:1	A4	PZACF2PXA19261	SHEET 31 OF 3