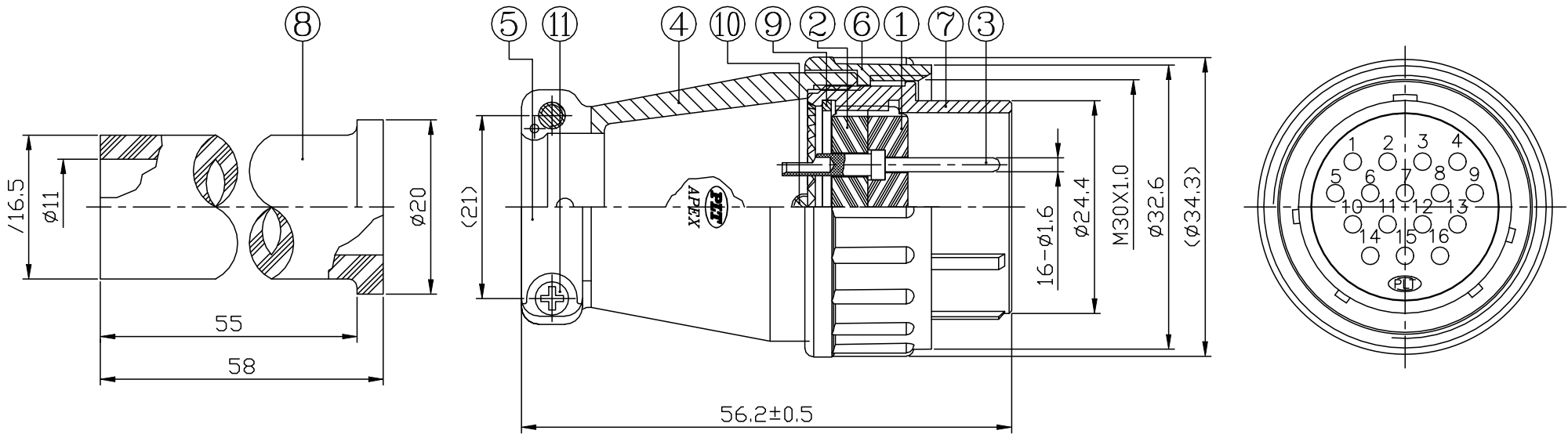


THIS DRAWING AND THE DATA DISCLOSED HEREIN OR HEREWITH IS NOT TO BE REPRODUCED USED OR DISCLOSED IN WHOLE OR IN PART TO ANYONE WITHOUT THE PERMISSION OF JESS-LINK PRODUCTS CO.,LTD.(JPC)		CUSTOMER DRAWING DRWC-XXXXXX		REV.	ECN NO.	DESCRIPTION	MDF'D	APP'D	DATE
				01		INITIAL DESIGN	Philip	Richard	12/18/2023
				02					
				03					

NO.	ELECTRICAL CHARACTERISTICS	
1	Rated Current/voltage	10A 250V
2	Operation limit voltage (AC.V.rms)	250
3	Withstanding voltage (AC.V.rms) 1 minute	1000
4	Insulation resistance(MΩ MIN.) at DC 500V	1000
5	Contact resistance (mΩ MAX.) at DC 1A	5
6	Pin diameter (ømm)	1.6



11	SCREW , STEEL , M-NI	2 PCS
10	SCREW , COPPER ALLOY , M-NI	1 PCS
9	RING , SUS	1 PCS
8	PIPE , RUBBER , BLACK	1 PCS
7	TOOTH BODY , ZN ALLOY , M-CR , Sandblasting	1 PCS
6	CAP , ZN ALLOY , M-CR , Sandblasting	1 PCS
5	CLAMP , ZN ALLOY , M-CR , Sandblasting	1 PCS
4	BODY , ZN ALLOY , M-CR , Sandblasting	1 PCS
3	CONTACT , COPPER ALLOY , M-AU	16 PCS
2	INSULATOR , BAKELITE , BLACK	1 PCS
1	INSULATOR , BAKELITE , BLACK	1 PCS
ITEM	DESCRIPTION	Q'TY

RoHS COMPLIANT

Unit:mm(inch)  
GENERAL TOLERANCES: (UNLESS SPECIFIED)  
0 = ±1 (0.039)  
0.0 = ±5 (0.02)  
0.00 = ±3 (0.012)  
0.000 = ±15 (0.006)  
0° = ± 2°  
0.0° = ± 1°

PROJECTION  
D.R. 12/18/2023  
Philip  
CH.K 12/18/2023  
Philip  
APV.D 12/18/2023  
Richard

<b>ZCables.com</b>			PD./FILE NO.
TITLE Industrial Square-28 Series 16 Pin Plug Male Contact		REV. 01	
SCALE 1:1	SIZE A4	PART NO. PZAAAPLSA28161	SHEET 1 OF 1