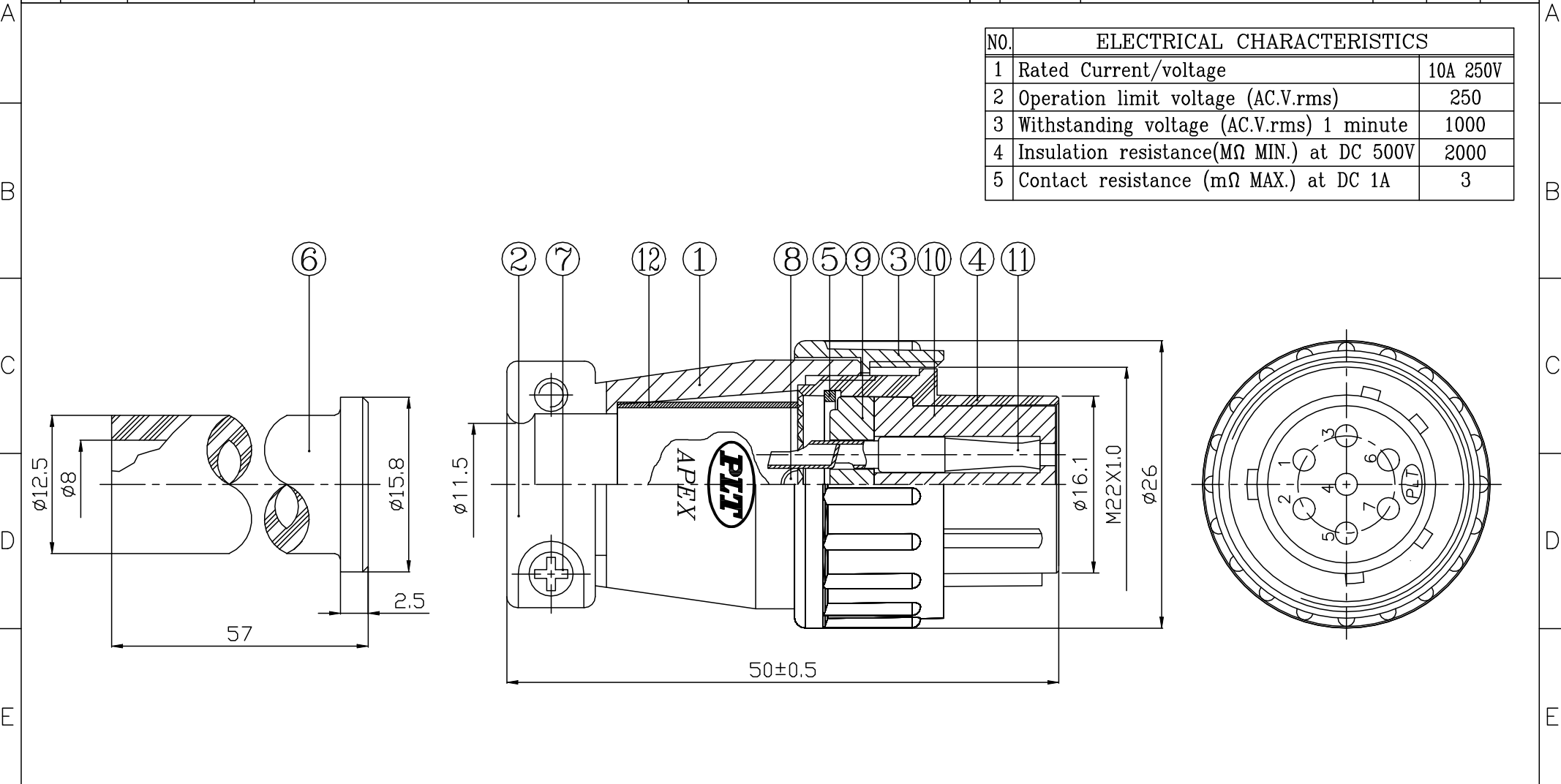


1	2	3	4	5	6	7	8				
THIS DRAWING AND THE DATA DISCLOSED HEREIN OR HEREWITH IS NOT TO BE REPRODUCED USED OR DISCLOSED IN WHOLE OR IN PART TO ANYONE WITHOUT THE PERMISSION OF JESS-LINK PRODUCTS CO.,LTD.(JPC)				CUSTOMER DRAWING DRWC-XXXXXX		REV.	ECN NO.	DESCRIPTION	MDF'D	APP'D	DATE
						01		INITIAL DESIGN	Philip	Richard	12/15/2023
						02					
						03					

NO.	ELECTRICAL CHARACTERISTICS	
1	Rated Current/voltage	10A 250V
2	Operation limit voltage (AC.V.rms)	250
3	Withstanding voltage (AC.V.rms) 1 minute	1000
4	Insulation resistance(MΩ MIN.) at DC 500V	2000
5	Contact resistance (mΩ MAX.) at DC 1A	3



ITEM	DESCRIPTION	Q'TY
12	TUBE , PP	1 PCS
11	CONTACT , COPPER ALLOY , M-AU	7 PCS
10	INSULATOR , BAKELITE	1 PCS
9	INSULATOR , BAKELITE	1 PCS
8	SCREW , COPPER ALLOY , M-NI	1 PCS
7	SCREW , STEEL , M-NI	2 PCS
6	PIPE , RUBBER	1 PCS
5	RING , SUS	1 PCS
4	TOOTH BODY , ZN ALLOY , M-CR	1 PCS
3	CAP , ZN ALLOY , M-CR	1 PCS
2	CLAMP , ZN ALLOY , M-CR	1 PCS
1	BODY , ZN ALLOY , M-CR	1 PCS

<b>RoHS COMPLIANT</b>	Unit:mm(inch)	PROJECTION	<b>ZCables.com</b>		
	GENERAL TOLERANCES: (UNLESS SPECIFIED)	D.R. 12/15/2023			
	0 =±1 (0.039)	Philip	TITLE	PD./FILE NO.	
	0.0 =±.5 (0.02)	CH.K 12/15/2023	Industrial Square-20 Series 7 Pin Plug Female Contact		
0.00 =±.3 (0.012)	Philip	SCALE	SIZE	PART NO.	REV.
0.000=±.15(0.006)	APV.D 12/15/2023	1:1	A4	PZAAAPLSB20071	01
0° =± 2'	Richard				SHEET 1 OF 1
0.0° =± 1'					