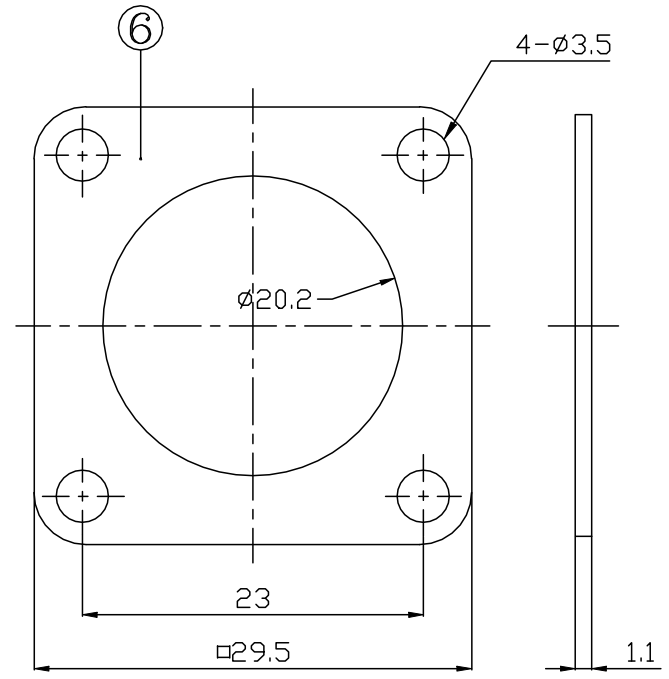
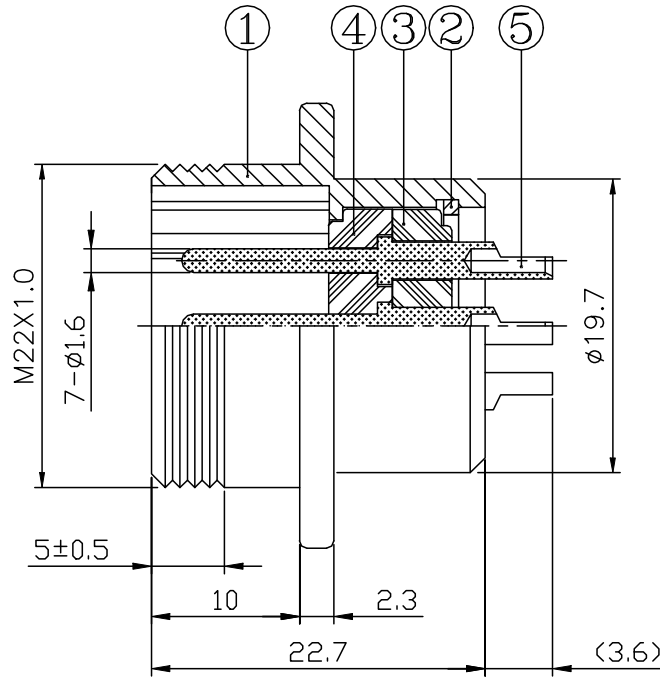
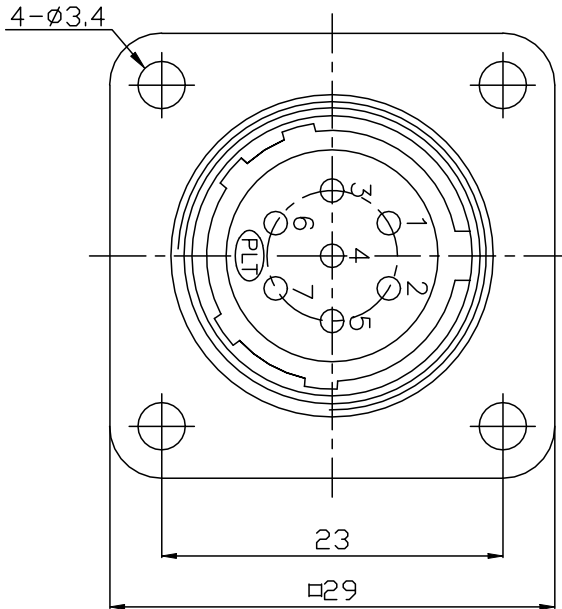
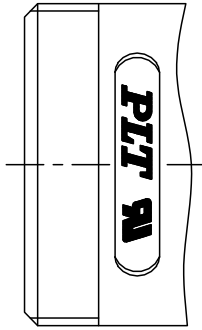


THIS DRAWING AND THE DATA DISCLOSED HEREIN OR HEREWITH IS NOT TO BE REPRODUCED USED OR DISCLOSED IN WHOLE OR IN PART TO ANYONE WITHOUT THE PERMISSION OF JESS-LINK PRODUCTS CO.,LTD.(JPC)

CUSTOMER DRAWING
DRWC-XXXXXX

REV.	ECN NO.	DESCRIPTION	MDF'D	APP'D	DATE
01		INITIAL DESIGN	Philip	Richard	12/15/2023
02					
03					

NO.	ELECTRICAL CHARACTERISTICS	
1	Rated Current/voltage	10A 250V
2	Operation limit voltage (AC.V.rms)	250
3	Withstanding voltage (AC.V.rms) 1 minute	1000
4	Insulation resistance(MΩ MIN.) at DC 500V	2000
5	Contact resistance (mΩ MAX.) at DC 1A	3
6	Pin diameter (ømm)	1.6



ITEM	DESCRIPTION	Q'TY
6	PAD , RUBBER	1 PCS
5	CONTACT , COPPER ALLOY , M-AU	7 PCS
4	INSULATOR , BAKELITE , BLACK	1 PCS
3	INSULATOR , BAKELITE , BLACK	1 PCS
2	RING , SUS	1 PCS
1	BODY , ZN ALLOY , M-CR	1 PCS

RoHS COMPLIANT	Unit:mm(inch)	PROJECTION	ZCables.com			
	GENERAL TOLERANCES: (UNLESS SPECIFIED)					
	0 =±1 (0.039)	D.R. 12/15/2023	TITLE	Industrial Square-20 Series 7 Pin Receptacle Male Contact	PD./FILE NO.	
	0.0 =±5 (0.02)	Philip	CH.K 12/15/2023			
0.00 =±3 (0.012)	Philip	APV.D 12/15/2023	SCALE	SIZE	PART NO.	REV. 01
0.000=±.15(0.006)	Richard	1:1	A4	PZAAAPLSC20071	SHEET 1 OF 1	
0° =± 2'						
0.0° =± 1'						