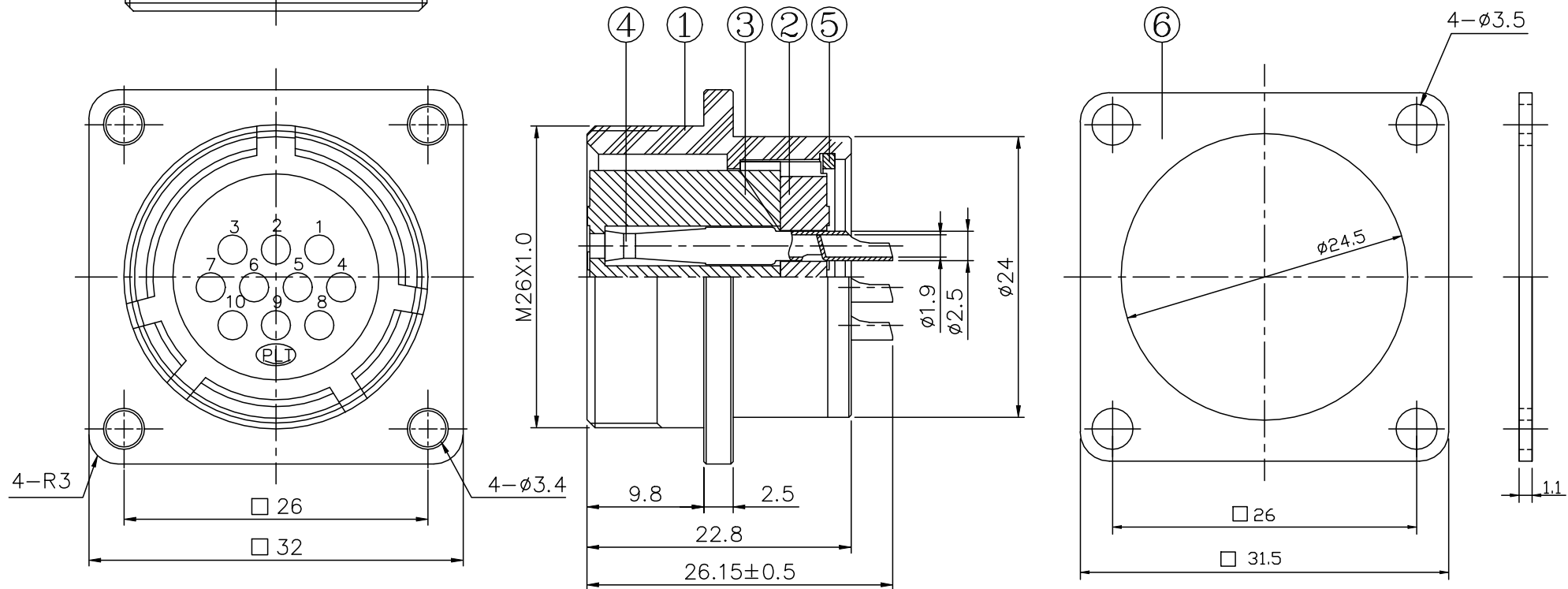
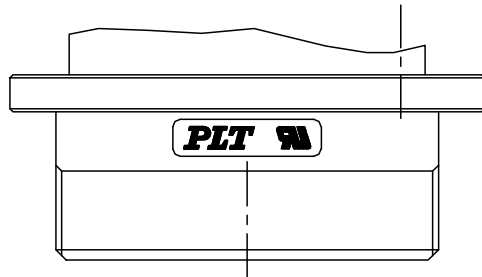


THIS DRAWING AND THE DATA DISCLOSED HEREIN OR HEREWITH IS NOT TO BE REPRODUCED USED OR DISCLOSED IN WHOLE OR IN PART TO ANYONE WITHOUT THE PERMISSION OF JESS-LINK PRODUCTS CO.,LTD.(JPC)				CUSTOMER DRAWING DRWC-XXXXXX			REV.	ECN NO.	DESCRIPTION	MDF'D	APP'D	DATE
							01		INITIAL DESIGN	Philip	Richard	12/18/2023
							02					
							03					

No.	ELECTRICAL CHARACTERISTICS	
1	Rated current/voltage	10A 250V
2	Operating limit voltage (v.)	250
3	Rated voltage (V.)	1000
4	Insulation resistance (MΩ MIN.)	2000
5	Contact resistance (mΩ MAX.)	3
6	Pin diameter (ømm)	1.6



ITEM	DESCRIPTION	Q'TY
6	PAD , RUBBER , BLACK , ACCESSORIES	1 PCS
5	RING , SUS	1 PCS
4	CONTACT , COPPER ALLOY , M-AU	10 PCS
3	INSULATOR , BAKELITE	1 PCS
2	INSULATOR , BAKELITE	1 PCS
1	BODY , ZN ALLOY , M-CR	1 PCS

RoHS COMPLIANT	Unit:mm(inch)	PROJECTION 	ZCables.com	
	GENERAL TOLERANCES: (UNLESS SPECIFIED)	D.R. 12/18/2023		
	0 =±1 (0.039)	Philip	Industrial Square-24 Series 10 Pin Receptacle Female Contact	
	0.0 =±.5 (0.02)	CH.K 12/18/2023	SCALE	SIZE
0.00 =±.3 (0.012)	Philip	1:1	A4	PZAAAPLSD24101
0.000 =±.15(0.006)	APV.D 12/18/2023	REV.	01	SHEET 1 OF 1
0° =± 2'	Richard			
0.0° =± 1'				