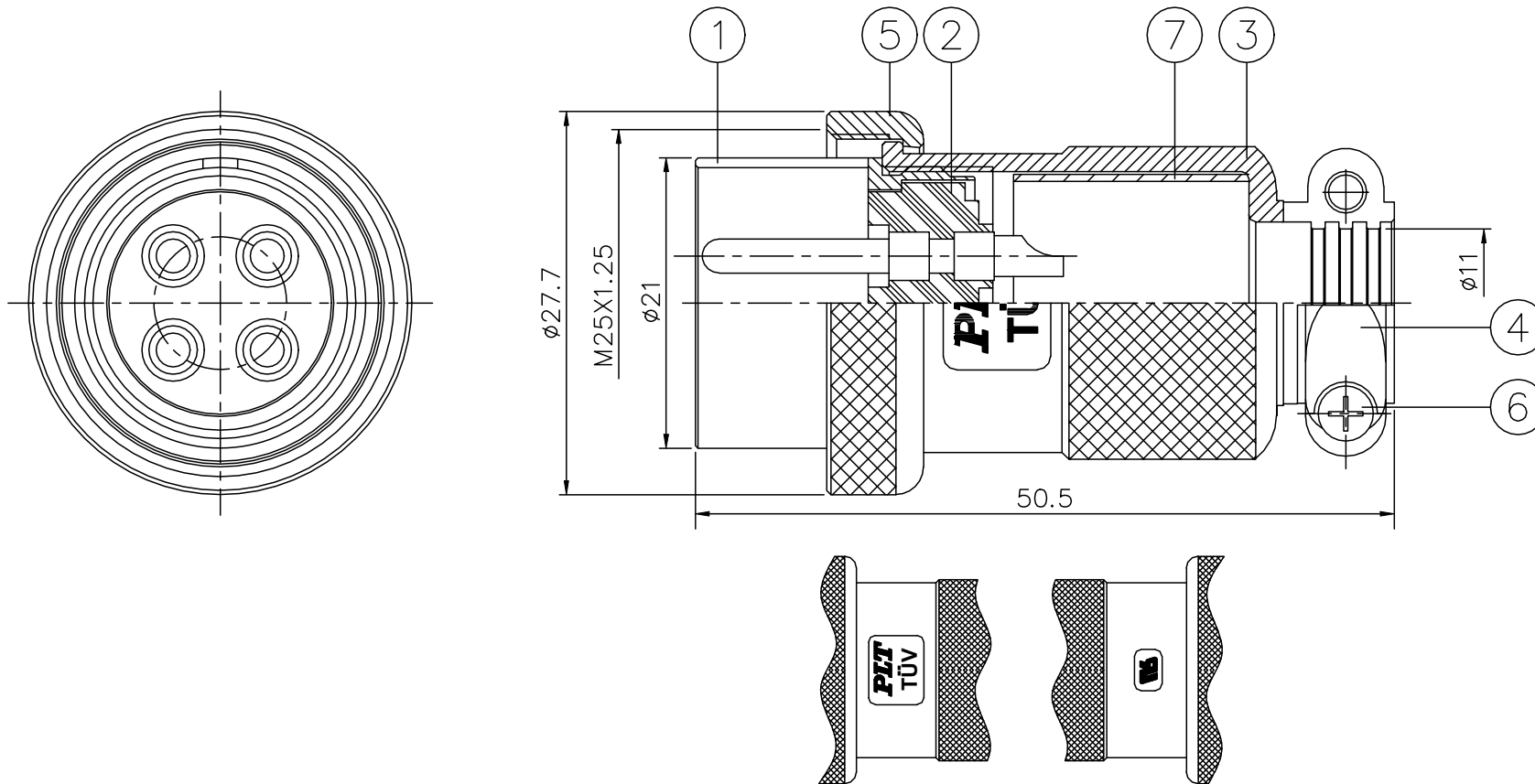


No.	ELECTRICAL SPECIFICATIONS	
1	Rated current/voltage	10A 250V
2	Operation limits voltage (AC.V.rms)	400
3	Withstanding voltage (AC.V.rms) 1minute	2000
4	Insulation resistance (MΩ MIN.) at DC 1A	2000
5	Contact resistance (mΩ MAX.) at DC 1A	3



ITEM	DESCRIPTION	Q'TY
7	PIPE , PLASTICS	1 PCS
6	SCREW , STEEL , M-NI	2 PCS
5	CAP , ZN ALLOY , M-CR	1 PCS
4	CLAMP , ZN ALLOY , M-CR	1 PCS
3	BODY , ZN ALLOY , M-CR	1 PCS
2	INSULATOR W/H CONTACT , BAKELITE	1 PCS
1	BODY , ZN ALLOY , M-CR	1 PCS

RoHS COMPLIANT	Unit:mm(inch)	PROJECTION	ZCables.com	
	GENERAL TOLERANCES: (UNLESS SPECIFIED)	D.R. 12/15/2023	TITLE	
	0 =±1 (0.039)	Philip	Industrial Circular-25 Series 4 Pin Plug Male Contact	
	0.0 =±.5 (0.02)	CH.K 12/15/2023	SCALE	SIZE
0.000=±.15(0.006)	Philip	1:1	A4	PZAAAPLTA25041
0° =± 2'	APV,D 12/15/2023	REV.	01	REV. 01
0.0° =± 1'	Richard	SHEET 1 OF 1		