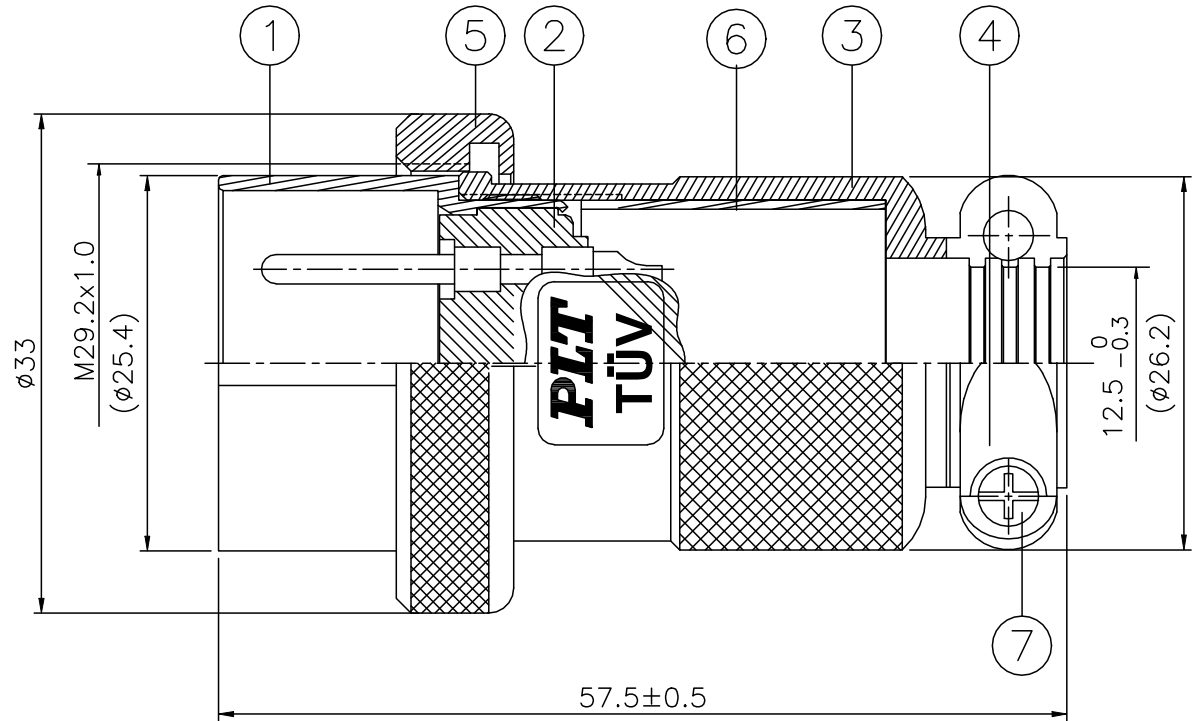
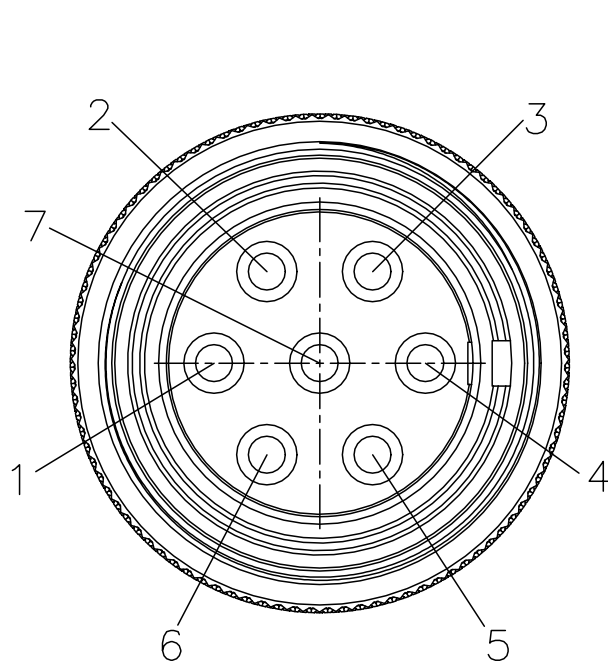


THIS DRAWING AND THE DATA DISCLOSED HEREIN OR HEREWITH IS NOT TO BE REPRODUCED USED OR DISCLOSED IN WHOLE OR IN PART TO ANYONE WITHOUT THE PERMISSION OF JESS-LINK PRODUCTS CO.,LTD.(JPC)

CUSTOMER DRAWING
DRWC-XXXXXX

REV.	ECN NO.	DESCRIPTION	MDF'D	APP'D	DATE
01		INITIAL DESIGN	Philip	Richard	12/15/2023
02					
03					

NO.	ELECTRICAL CHARACTERISTICS	
1	Rated Current/voltage	15A 250V
2	Operation limit voltage (AC.V.rms)	400
3	Withstanding voltage (AC.V.rms) 1 minute	1800
4	Insulation resistance(MΩ MIN.) at DC 500V	2000
5	Contact resistance (mΩ MAX.) at DC 1A	3



ITEM	DESCRIPTION	Q'TY
7	SCREW , STEEL , M-NI	2 PCS
6	TUBE , PE	1 PCS
5	CAP , ZN ALLOY , M-CR	1 PCS
4	CLAMP , ZN ALLOY , M-CR	1 PCS
3	BODY , ZN ALLOY , M-CR	1 PCS
2	CLAMP , ZN ALLOY , M-CR	1 PCS
1	BODY , ZN ALLOY , M-CR	1 PCS

RoHS COMPLIANT	Unit:mm(inch)	PROJECTION	ZCables.com		
	GENERAL TOLERANCES: (UNLESS SPECIFIED)				
	0 =±1 (0.039)	D.R. 12/15/2023	TITLE	PD./FILE NO.	
	0.0 =±.5 (0.02)	Philip	Industrial Circular-30 Series 7 Pin Plug Male Contact		
0.00 =±.3 (0.012)	CH.K 12/15/2023	SCALE	SIZE	PART NO.	REV.
0.000=±.15(0.006)	Philip	1:1	A4	PZAAAPLTA30071	01
0° =± 2'	APV.D 12/15/2023				
0.0° =± 1'	Richard				SHEET 1 OF 1