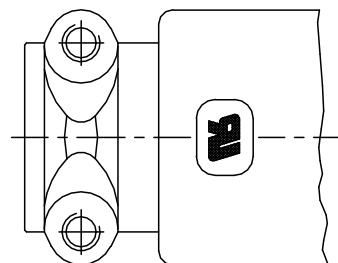
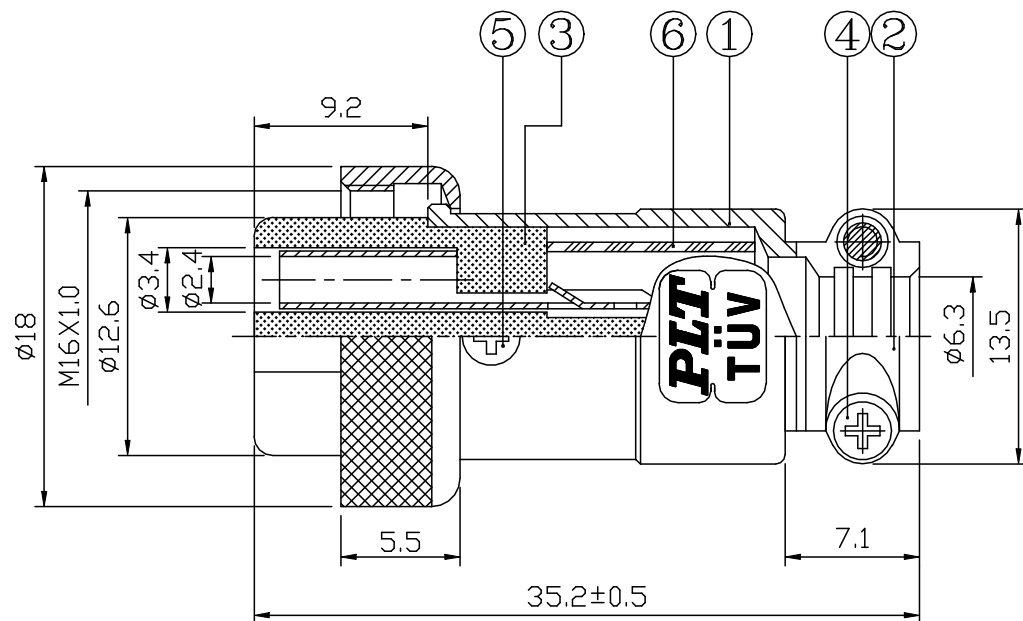
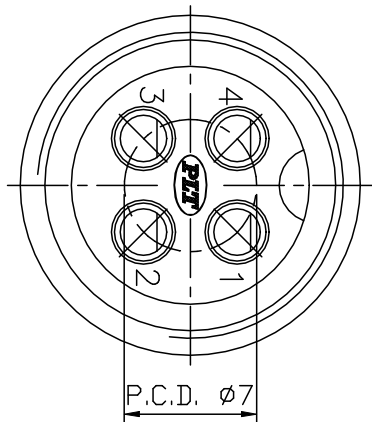


1	2	3	4	5	6	7	8				
THIS DRAWING AND THE DATA DISCLOSED HEREIN OR HEREWITH IS NOT TO BE REPRODUCED USED OR DISCLOSED IN WHOLE OR IN PART TO ANYONE WITHOUT THE PERMISSION OF JESS-LINK PRODUCTS CO.,LTD.(JPC)				CUSTOMER DRAWING DRWC-XXXXXX		REV.	ECN NO.	DESCRIPTION	MDF'D	APP'D	DATE
						01		INITIAL DESIGN	Philip	Richard	12/15/2023
						02					
						03					

NO.	ELECTRICAL CHARACTERISTICS	
1	Rated Current/voltage	5A 125V
2	Operation limit voltage (AC.V.rms)	200
3	Withstanding voltage (AC.V.rms) 1 minute	1000
4	Insulation resistance(MΩ MIN.) at DC 500V	1000
5	Contact resistance (mΩ MAX.) at DC 1A	3



B-317ZN 後視圖

ITEM	DESCRIPTION	Q'TY
6	PIPE , PE	1 PCS
5	SCREW , STEEL , PLATED M-NI , M1.7x0.35	1 PCS
4	SCREW , STEEL , PLATED M-NI , M2x0.4	2 PCS
3	INSULATOR , BAKELITE , BLACK	1 PCS
2	CLAMP , ZN ALLOY , PLATED M-NI	1 PCS
1	BODY , Zn ALLOY , PLATED M-NI	1 PCS

RoHS COMPLIANT	Unit:mm(inch)	PROJECTION	ZCables.com		
	GENERAL TOLERANCES: (UNLESS SPECIFIED)				
	0 ±1 (0.039)	D.R. 12/15/2023	TITLE	PD./FILE NO.	
	0.0 ±1.5 (0.059)	Philip	Industrial Circular-16 Series 4 Pin Plug Female Contact		
0.0 ±0.3 (0.012)	CH.K 12/15/2023	SCALE	SIZE	PART NO.	REV.
0.000 ±0.15 (0.006)	Philip	1:1	A4	PZAAAPLTB16041	01
0 ±2	APV.D 12/15/2023	SHEET 1 OF 1			
0 ±1	Richard				