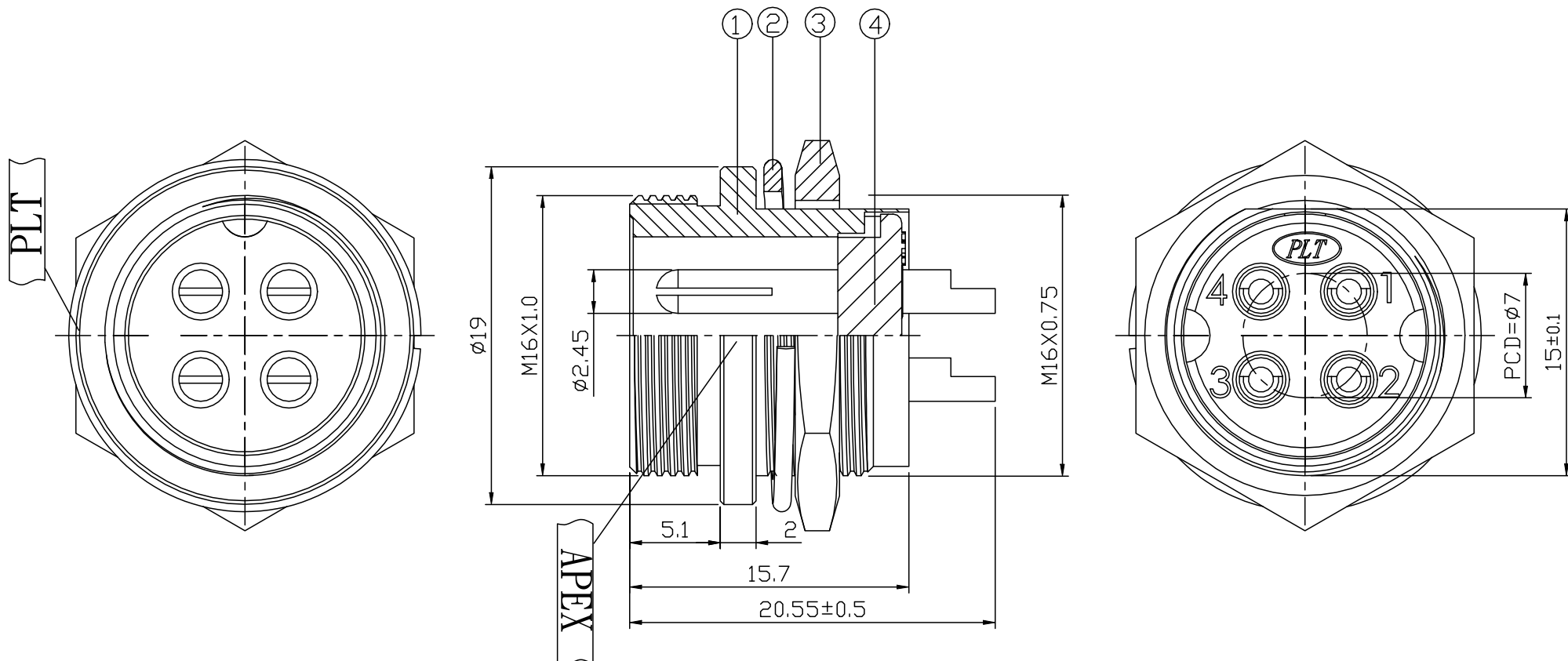


1	2	3	4	5	6	7	8				
THIS DRAWING AND THE DATA DISCLOSED HEREIN OR HEREWITH IS NOT TO BE REPRODUCED USED OR DISCLOSED IN WHOLE OR IN PART TO ANYONE WITHOUT THE PERMISSION OF JESS-LINK PRODUCTS CO.,LTD.(JPC)				CUSTOMER DRAWING DRWC-XXXXXX		REV.	ECN NO.	DESCRIPTION	MDF'D	APP'D	DATE
						01		INITIAL DESIGN	Philip	Richard	12/15/2023
						02					
						03					

NO.	ELECTRICAL CHARACTERISTICS	
1	Rated Current/voltage	5A 125V
2	Operation limit voltage (AC.V.rms)	200
3	Withstanding voltage (AC.V.rms) 1 minute	1000
4	Insulation resistance(MΩ MIN.) at DC 500V	1000
5	Contact resistance (mΩ MAX.) at DC 1A	15



ITEM	DESCRIPTION	Q'TY
4	INSULATOR , BAKELITE	1 PCS
3	NUT , COPPER ALLOY , M-NI	1 PCS
2	SPRING WASHER , SUP3 , M-NI	1 PCS
1	BODY , ZN ALLOY , M-NI	1 PCS

RoHS COMPLIANT	Unit:mm(inch)	PROJECTION 	ZCables.com		
	GENERAL TOLERANCES: (UNLESS SPECIFIED)	D.R. 12/15/2023			TITLE Industrial Circular-16 Series 4 Pin Receptacle Male Contact
	0 =±1 (0.039)	Philip	SCALE	SIZE	REV. 01
	0.0 =±.3 (0.012)	Philip	1:1	A4	SHEET 1 OF 1
0.000=±.15(0.006)	APV.D 12/15/2023		PART NO.		
0° =± 2'	Richard		PZAAAPLTC16041		
0.0° =± 1'					