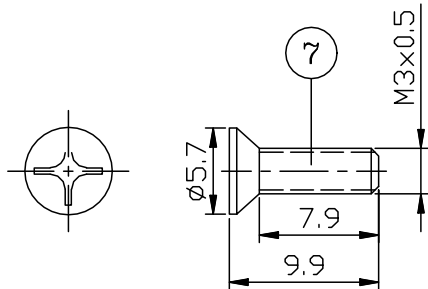
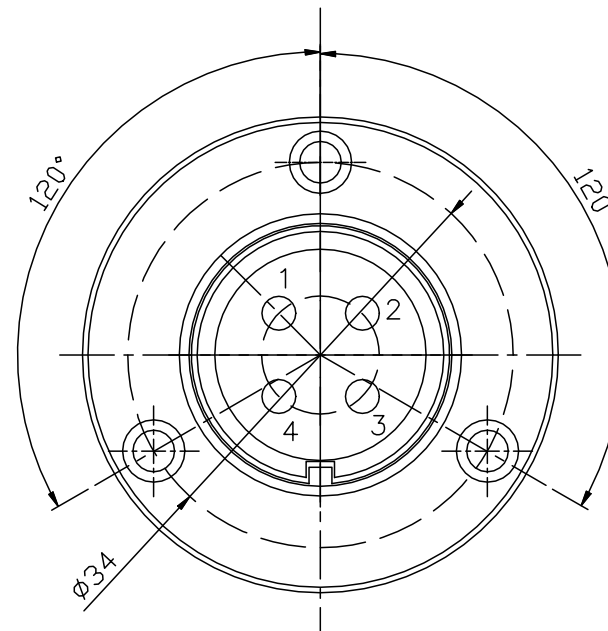
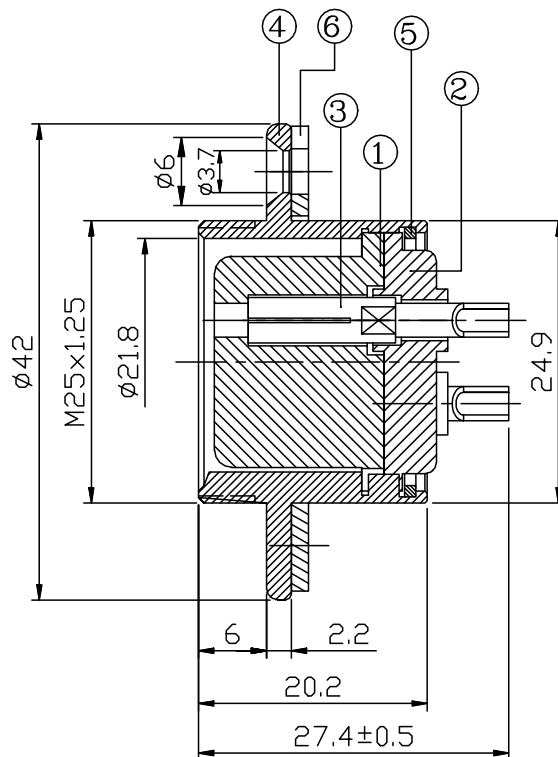
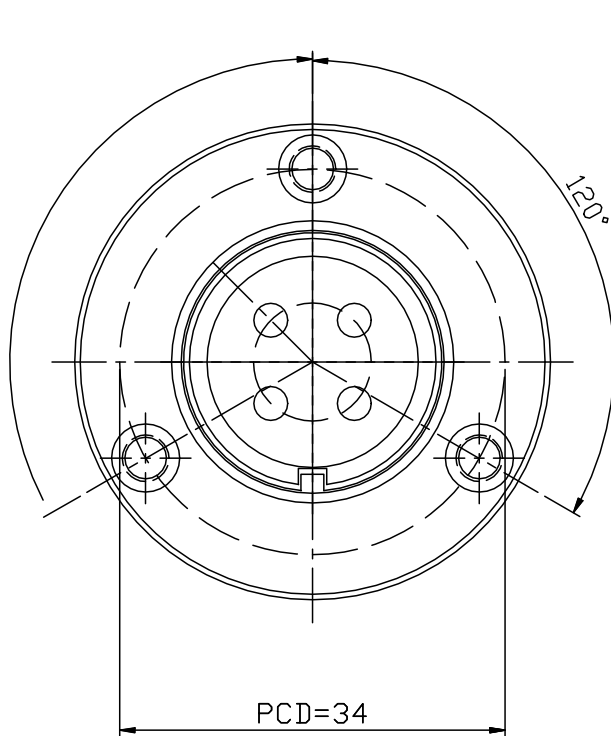


1	2	3	4	5	6	7	8				
THIS DRAWING AND THE DATA DISCLOSED HEREIN OR HEREWITH IS NOT TO BE REPRODUCED USED OR DISCLOSED IN WHOLE OR IN PART TO ANYONE WITHOUT THE PERMISSION OF JESS-LINK PRODUCTS CO.,LTD.(JPC)				CUSTOMER DRAWING DRWC-XXXXXX		REV.	ECN NO.	DESCRIPTION	MDF'D	APP'D	DATE
						01		INITIAL DESIGN	Philip	Richard	12/15/2023
						02					
						03					



NO.	ELECTRICAL CHARACTERISTICS	
1	Rated Current/voltage	10A 250V
2	Operation limit voltage (AC.V.rms)	400
3	Withstanding voltage (AC.V.rms) 1 minute	2000
4	Insulation resistance(MΩ MIN.) at DC 500V	2000
5	Contact resistance (mΩ MAX.) at DC 1A	3



ITEM	DESCRIPTION	Q'TY
7	SCREW , STEEL , M-NI	3 PCS
6	WASHER , RUBBER	1 PCS
5	RING , SUS	1 PCS
4	BODY , ZN ALLOY , M-CR	1 PCS
3	CONTACT , BRASS , M-AU	4 PCS
2	INSULATOR , BAKELITE	1 PCS
1	INSULATOR , BAKELITE	1 PCS

RoHS COMPLIANT

Unit:mm(inch)	PROJECTION
GENERAL TOLERANCES: (UNLESS SPECIFIED)	D.R. 12/15/2023
0 ±1 (0.039)	Philip
0.0 ±1.5 (0.012)	CH.K 12/15/2023
0.0 ±1.5 (0.012)	Philip
0 ±2	APV.D 12/15/2023
0.0 ±1	Richard

ZCables.com		PD./FILE NO.
TITLE Industrial Circular-25 Series 4 Pin Receptacle Female Contact		
SCALE	SIZE	PART NO.
1:1	A4	PZAAAPLTD25041
REV.	01	SHEET 1 OF 1