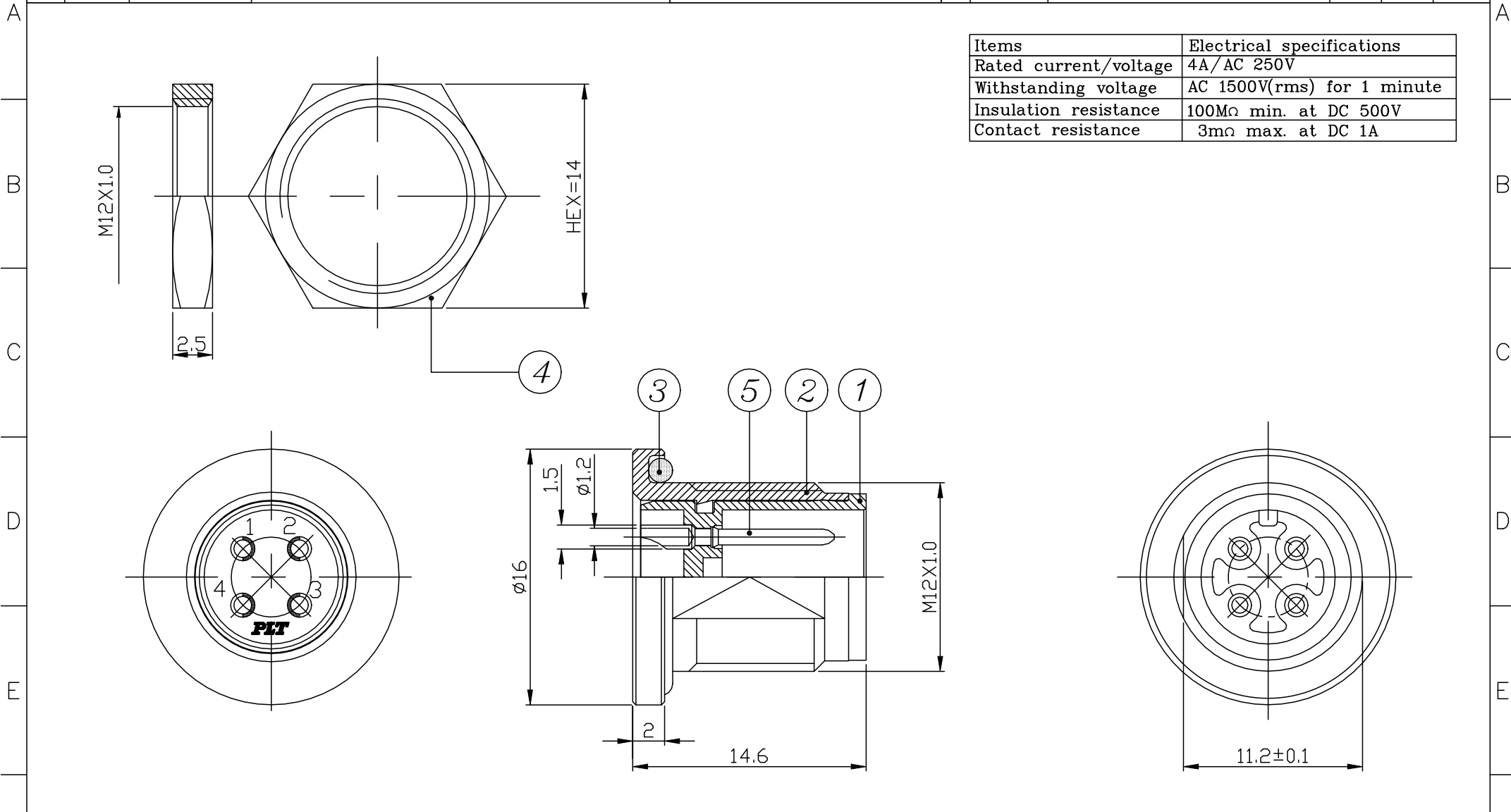


1	2	3	4	5	6	7	8				
THIS DRAWING AND THE DATA DISCLOSED HEREIN OR HEREWITH IS NOT TO BE REPRODUCED USED OR DISCLOSED IN WHOLE OR IN PART TO ANYONE WITHOUT THE PERMISSION OF JESS-LINK PRODUCTS CO.,LTD.(JPC)				CUSTOMER DRAWING DRWC-XXXXXX		REV.	ECN NO.	DESCRIPTION	MDF'D	APP'D	DATE
						01		INITIAL DESIGN	Philip	Richard	12/18/2023
						02					
						03					



Items	Electrical specifications
Rated current/voltage	4A/AC 250V
Withstanding voltage	AC 1500V(rms) for 1 minute
Insulation resistance	100M Ω min. at DC 500V
Contact resistance	3m Ω max. at DC 1A

5	CONTACT , COPPER ALLOY , M-AU	4	PCS
4	NUT , COPPER ALLOY , M-NI	1	PCS
3	RING(O) , RUBBER	1	PCS
2	BODY , COPPER ALLOY , M-NI	1	PCS
1	INSULATOR , PC , TRANSPARENT , UL94V-2	1	PCS
ITEM	DESCRIPTION		Q'TY

RoHS COMPLIANT	Unit:mm(inch)	PROJECTION	ZCables.com			
	GENERAL TOLERANCES: (UNLESS SPECIFIED)	D.R. 12/18/2023				
	0 =±1 (0.039)	Philip	TITLE	PD./FILE NO.		
	0.0 =±.3 (0.012)	Philip	M12 A-Code 4 Pin Receptacle Male Contact			
0.000=±.15(0.006)	APV.D 12/18/2023	SCALE	SIZE	PART NO.	REV.	01
0° =± 2'	Richard	1:1	A4	PZAAMC12C12041	SHEET	1 OF 1
0.0° =± 1'						