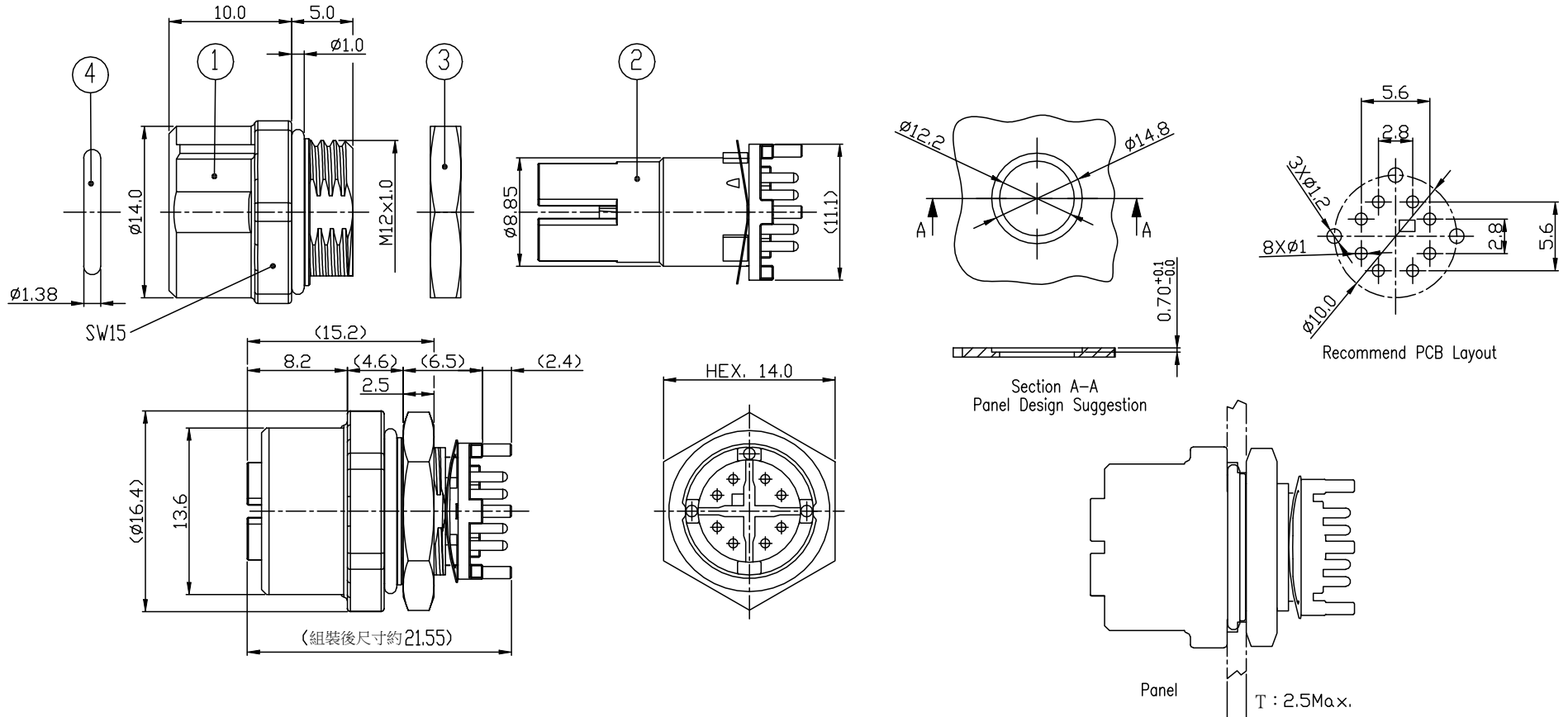


THIS DRAWING AND THE DATA DISCLOSED HEREIN OR HEREWITH IS NOT TO BE REPRODUCED USED OR DISCLOSED IN WHOLE OR IN PART TO ANYONE WITHOUT THE PERMISSION OF JESS-LINK PRODUCTS CO.,LTD.(JPC)

CUSTOMER DRAWING
DRWC-XXXXXX

REV.	ECN NO.	DESCRIPTION	MDF'D	APP'D	DATE
01		INITIAL DESIGN	Philip	Richard	12/18/2023
02					
03					

NO	Electrical specifications	NO	Electrical specificat	
1	CONTACTOR, PIN OF STABLE POWER(gf)	4000gf	6 OPERATING TEMPERATURE	-40 °C-85
2	CONNECTING STREGTH(kgf)	30kgf	7 WATER PROOF	IP67
3	INSULATION IMPEDANCE(DC 500 V, ONE MINUTES, THE RESULT COMES OUT)(<u> </u> M Ω Min)	100MΩ Min	8 RATED CURRENT(<u> </u> A Max)	0.5 A Max
4	WITHSTANDING VOLTAGE(AC <u> </u> V , ONE MINUTES)	AC 800V , ONE MINUTES	9 RATED VOLTAGE(<u> </u> V Max)	48 V Max
5	CONTACT RESISTANCE(DC <u> </u> A THE RESULTS COMES OUT Max <u> </u> Ω)	DC 1A THE RESULTS COMES OUT Max10 Ω	10 Transmission characteristics	Cat. 6A C



ITEM	DESCRIPTION	Q'TY
4	O-RING , BLACK	1 PCS
3	CAP , COPPER ALLOY , M-NI>80U"	1 PCS
2	M-X628-RFA-R&ASB-003 W/H POST	1 PCS
1	FIXED CAP W/H O-RING	1 PCS

RoHS COMPLIANT	Unit:mm(inch)	PROJECTION	ZCables.com		PD./FILE NO.
	GENERAL TOLERANCES: (UNLESS SPECIFIED)	D.R. 12/18/2023			
	0 =±1 (0.039)	Philip	TITLE M12 X-Code 8 Pin Receptacle Female Contact		
	0.0 =±.5 (0.02)	CH.K 12/18/2023			
0.00 =±.3 (0.012)	Philip	SCALE	SIZE	PART NO.	REV. 01
0.000=±.15(0.006)	APV.D 12/18/2023	1:1	A4	PZAACM12C12081	SHEET 1 OF 1
0° =± 2'	Richard				
0.0° =± 1'					