








THIS DRAWING AND THE DATA DISCLOSED HEREIN OR HEREWITH IS NOT TO BE REPRODUCED USED OR DISCLOSED IN WHOLE OR IN PART TO ANYONE WITHOUT THE PERMISSION OF JESS-LINK PRODUCTS CO.,LTD.(JPC)

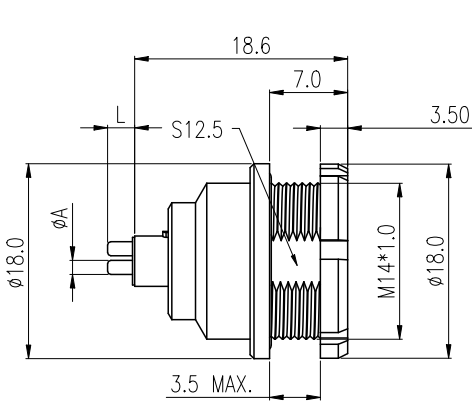
CUSTOMER DRAWING
DRWC-XXXXXX

REV.	ECN NO.	DESCRIPTION	MDF'D	APP'D	DATE
01		INITIAL DESIGN	Philip	Richard	11/06/2023
02					
03					

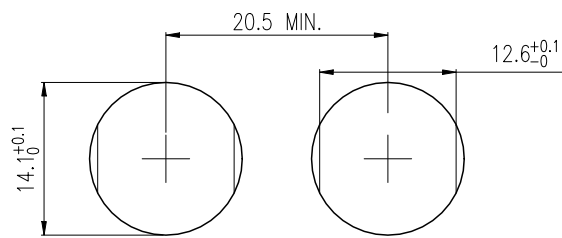
POSITIONS	02 PIN	03 PIN	04 PIN	05 PIN	06 PIN	07 PIN	09 PIN
VIEW FROM TERMINATION SIDE PIN PART							

NOTE:

- Material and finish
Outer shell: Copper alloy, Cr plating
Contact: Copper alloy, Gold plating over Ni
Insulator: PEEK UL94 V-1
O-ring: VMQ
Other parts: Copper alloy, Ni plating
- Mechanical characteristics
Insertion Force: 29.4N MAX.
Extraction Force: 29.4N MAX.
Endurance: 5000 mating cycles
Vibration: 10-2000Hz , 15g comply with EIA-364-28
Shock: 100g amplitude, half sine pulse of 3ms, no discontinuity > 1us EIA-364-27
- Electrical specifications
Contact resistance: 8.7 mOhm MAX.
After 5000 Cycles: 10 mOhm MAX.
Insulation resistance: >100 Mohm
Rated current: 2PIN 10.0A (Per Pin)
3PIN 8.0A (Per Pin)
4PIN 7.0A (Per Pin)
5PIN 6.5A (Per Pin)
6PIN 2.5A (Per Pin)
7PIN 2.5A (Per Pin)
9PIN 2.0A (Per Pin)
- Characteristics
Waterproof level: IP68 (Mating)
Operating temperature: -55°C ~ + 200°C
Corrosion resistance: 144 H salt mist, 5 % salt solution, 35°C
Humidity: 21 days at 95% RH
- RoHS compliance



No. OF CONTACTS	ØA	L
02,03	0.7	3.2
04,05,06,07,09	0.5	3.2



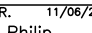
PANEL CUT-OUT

PART NO:

R - F O K N 0.6 0 3 0 0 0 0 0

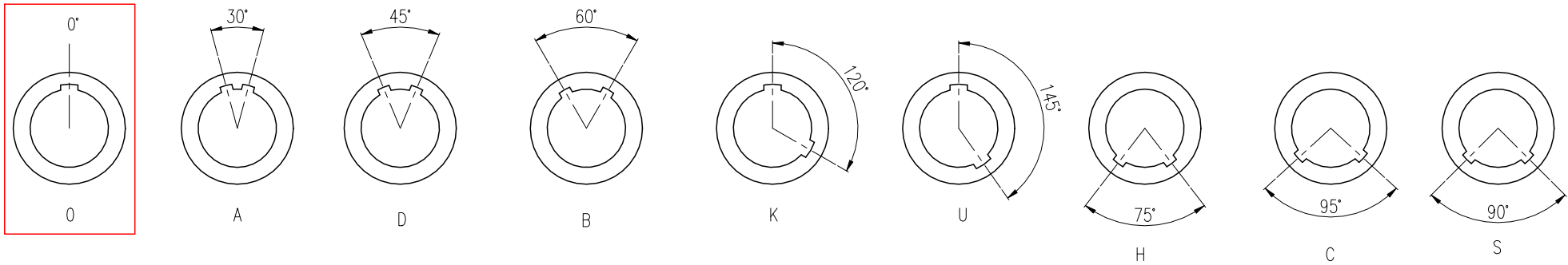
CONTACT POS.	02-09=2pin-9pin
SHELL MATERIAL	0=Brass
CODE	CONTACT TYPE
1	Male Print Contact
3	Female Print Contact

CODE	KEY ANGLES
0	0°
A	30°
B	60°
..	..

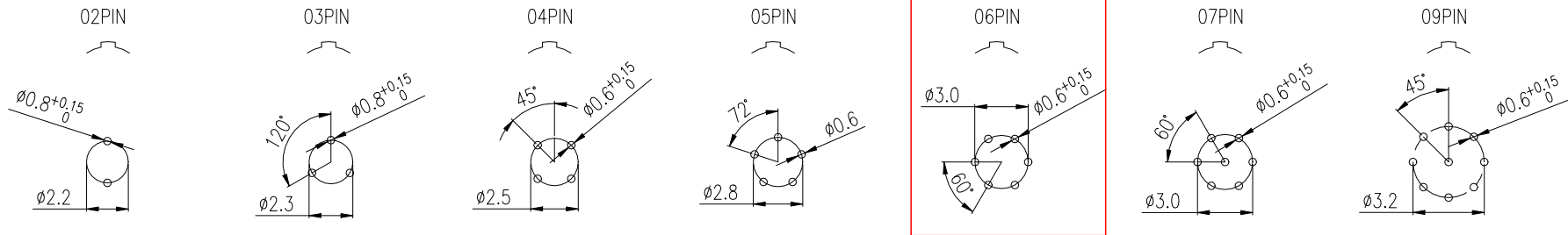
RoHS COMPLIANT	Unit:mm(inch)	PROJECTION	ZCables.com	
	GENERAL TOLERANCES: (UNLESS SPECIFIED)			
	0 = ±1 (0.039) 0.0 = ±5 (0.02) 0.00 = ±3 (0.012) 0.000 = ±15(0.006) 0° = ± 2° 0.0° = ± 1°	D.R. 11/06/2023 Philip CH.K 11/06/2023 Philip APV.D 11/06/2023 Richard	TITLE OK Metal Series, 6 Pin, Receptacle, Female Contact, Fixed Socket, Print(PCB Type), Snap Latch, IP68(Mating) Connector	PD./FILE NO.
	SCALE 1:1	SIZE A4	PART NO. PZACFOKXD13061	REV. 01 SHEET 1 OF 2

THIS DRAWING AND THE DATA DISCLOSED HEREIN OR HEREWITH IS NOT TO BE REPRODUCED USED OR DISCLOSED IN WHOLE OR IN PART TO ANYONE WITHOUT THE PERMISSION OF JESS-LINK PRODUCTS CO.,LTD.(JPC)				CUSTOMER DRAWING DRWC-XXXXXX		REV.	ECN NO.	DESCRIPTION	MDF'D	APP'D	DATE
						01		INITIAL DESIGN	Philip	Richard	11/06/2023
						02					
						03					

KEY ANGLES (RECEPTACLE FRONT VIEW) :



PCB DRILLING PATTERN :



RoHS COMPLIANT	Unit:mm(inch)	PROJECTION	ZCables.com	
	GENERAL TOLERANCES: (UNLESS SPECIFIED)		TITLE	
	0 = ±1 (0.039)	D.R. 11/06/2023	OK Metal Series, 6 Pin, Receptacle, Female Contact, Fixed Socket, Print(PCB Type), Snap Latch, IP68(Mating) Connector	
	0.0 = ±.5 (0.02)	Philip	SCALE	PD./FILE NO.
0.00 = ±.3 (0.012)	CH.K 11/06/2023	1:1	SIZE	REV. 01
0.000 = ±.15(0.006)	Philip	A4	PART NO.	SHEET 2 OF 2
0° = ± 2'	APV.D 11/06/2023	Richard	PZACF0KXD13061	
0.0° = ± 1'				