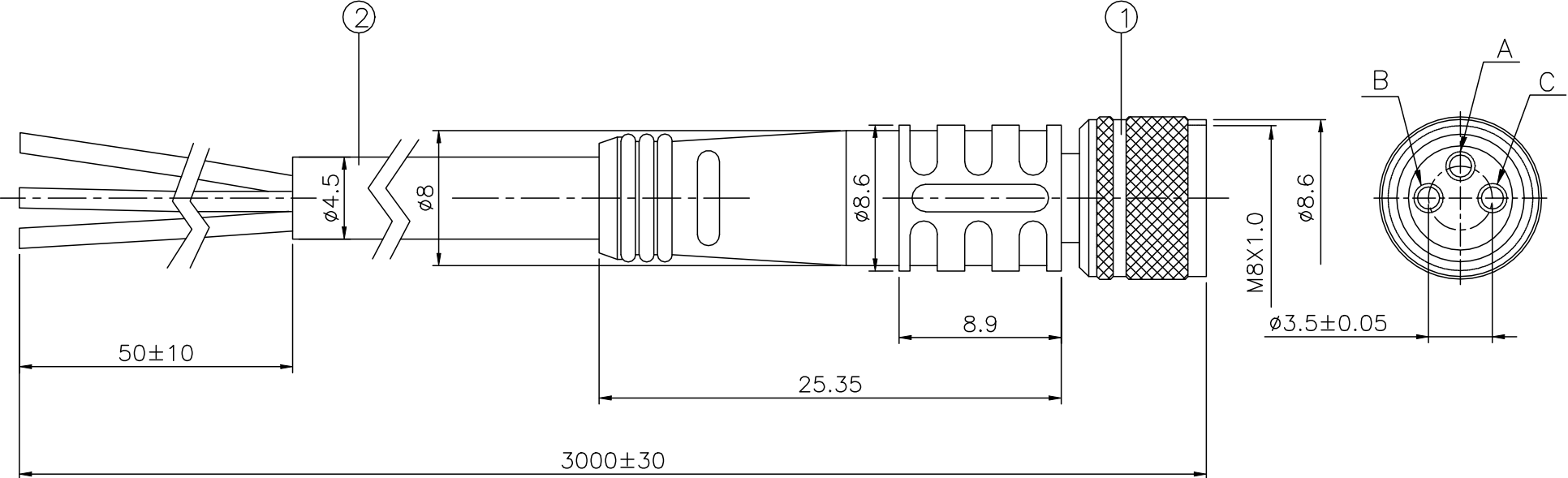


1	2	3	4	5	6	7	8				
THIS DRAWING AND THE DATA DISCLOSED HEREIN OR HEREWITH IS NOT TO BE REPRODUCED USED OR DISCLOSED IN WHOLE OR IN PART TO ANYONE WITHOUT THE PERMISSION OF JESS-LINK PRODUCTS CO.,LTD.(JPC)				CUSTOMER DRAWING DRWC-XXXXXX		REV.	ECN NO.	DESCRIPTION	MDF'D	APP'D	DATE
						01		INITIAL DESIGN	Philip	Richard	12/14/2023
						02					
						03					

No.	ELECTRICAL SPECIFICATIONS	
1	Rated current/voltage	3A-125V MAX. 5mA-5V MIN.
2	Operation limits voltage (AC.V.rms)	
3	Withstanding voltage (AC.V.rms) 1minute	300
4	Insulation resistance (MΩ MIN.) at DC 500V	100

A	BLACK INSULATION
B	BLUE INSULATION
C	BROWN INSULATION



2	WIRE , 24AWG BLACK JACKET	3M
1	3 PIN CONNECTOR	1 PCS
ITEM	DESCRIPTION	Q'TY

RoHS COMPLIANT	Unit:mm(inch)	PROJECTION	ZCables.com		
	GENERAL TOLERANCES: (UNLESS SPECIFIED)				
	0 =±1 (0.039)	D.R. 12/14/2023	TITLE	PD./FILE NO.	
	0.0 =±.3 (0.012)	Philip	M8 Plug 3 Pin Female Contact To Open Cable 3M		
0.000=±.15(0.006)	CH.K 12/14/2023	SCALE	SIZE	PART NO.	REV. 01
0' =± 2'	Philip	1:1	A4	PZBACN030-0001	SHEET 1 OF 1
0.0' =± 1"	APV.D 12/14/2023				
	Richard				