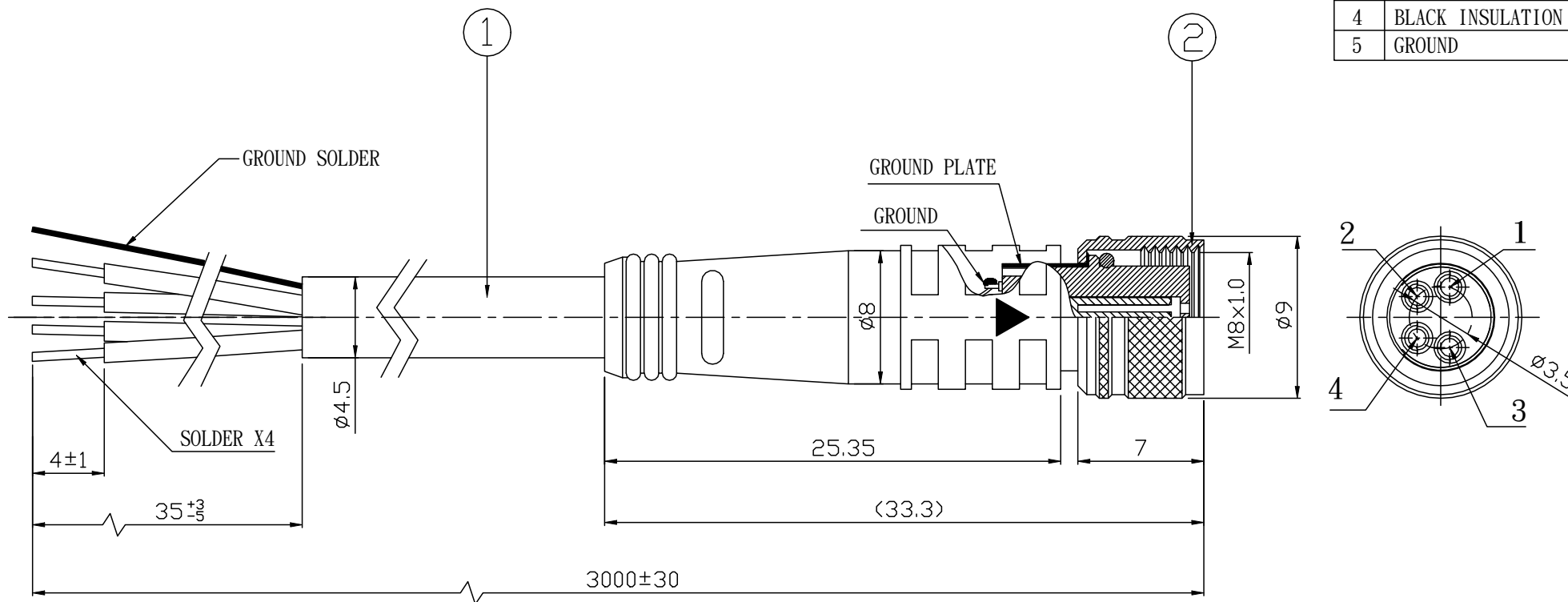


1	2	3	4	5	6	7	8				
THIS DRAWING AND THE DATA DISCLOSED HEREIN OR HEREWITH IS NOT TO BE REPRODUCED USED OR DISCLOSED IN WHOLE OR IN PART TO ANYONE WITHOUT THE PERMISSION OF JESS-LINK PRODUCTS CO.,LTD.(JPC)				CUSTOMER DRAWING DRWC-XXXXXX		REV.	ECN NO.	DESCRIPTION	MDF'D	APP'D	DATE
						01		INITIAL DESIGN	Philip	Richard	12/14/2023
						02					
						03					

Items	Electrical specifications
Rated current/voltage	AC/DC 5V-5mA min. AC/DC 125V-3A max.
Withstanding voltage	AC 300V for 1 minute
Insulation resistance	100MΩ min. at DC 500V

1	BROWN INSULATION
2	WHITE INSULATION
3	BLUE INSULATION
4	BLACK INSULATION
5	GROUND



2	WIRE , 24AWG BLACK JACKET	3.05M	RoHS COMPLIANT Unit:mm(inch) GENERAL TOLERANCES: (UNLESS SPECIFIED) 0 =±1 (0.039) 0.0 =±.5 (0.02) 0.00 =±.3 (0.012) 0.000=±.15(0.006) 0° =± 2' 0.0° =± 1'	PROJECTION	ZCables.com TITLE: M8 Plug 4 Pin Female Contact To Open Cable 3M PD./FILE NO.	
1	4 PIN CONNECTOR	1 PCS		D.R. 12/14/2023 Philip CH.K 12/14/2023 Philip APV.D 12/14/2023 Richard	SCALE: 1:1	SIZE: A4
ITEM	DESCRIPTION	Q'TY				