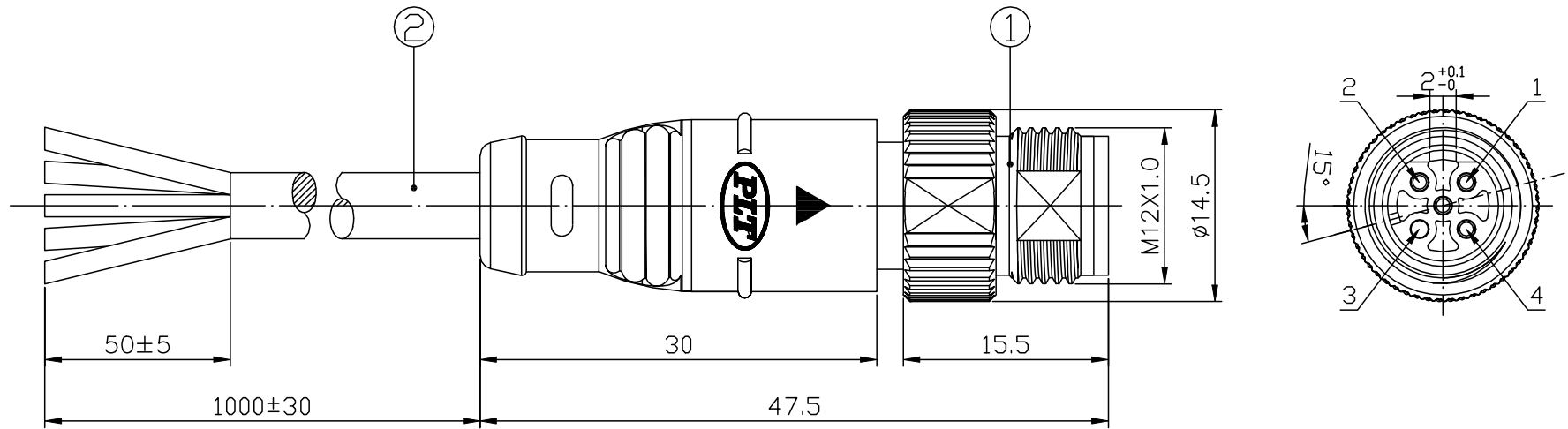


1	2	3	4	5	6	7	8				
THIS DRAWING AND THE DATA DISCLOSED HEREIN OR HEREWITH IS NOT TO BE REPRODUCED USED OR DISCLOSED IN WHOLE OR IN PART TO ANYONE WITHOUT THE PERMISSION OF JESS-LINK PRODUCTS CO.,LTD.(JPC)				CUSTOMER DRAWING DRWC-XXXXXX		REV.	ECN NO.	DESCRIPTION	MDF'D	APP'D	DATE
						01		INITIAL DESIGN	Philip	Richard	12/15/2023
						02					
						03					

Items	Electrical specifications
Rated current/voltage	AC/DC 5V-5mA min. AC/DC 125V-3A max.
Withstanding voltage	AC 300V(rms) for 1 minute
Insulation resistance	100MΩ min. at DC 500V

No.	Cord color
1	BROWN
2	WHITE
3	BLUE
4	BLACK



2	CABLE , UL 22AWG	1M
	4 PIN CONNECTOR	1 PCS
ITEM	DESCRIPTION	Q'TY

RoHS COMPLIANT	Unit:mm(inch)	PROJECTION	ZCables.com		
	GENERAL TOLERANCES: (UNLESS SPECIFIED)	D.R. 12/15/2023			
	0 =±1 (0.039)	Philip	TITLE	PD./FILE NO.	
	0.0 =±.5 (0.02)	CH.K 12/15/2023	M12 D Code 4 Pin Plug Male Contact to Open Cable 1M		
0.00 =±.3 (0.012)	Philip	SCALE	SIZE	PART NO.	REV.
0.000=±.15(0.006)	APV,D 12/15/2023	1:1	A4	PZBACP010-0003	01
0° =± 2'	Richard				SHEET 1 OF 1
0.0° =± 1'					