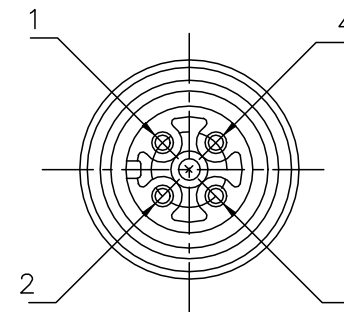
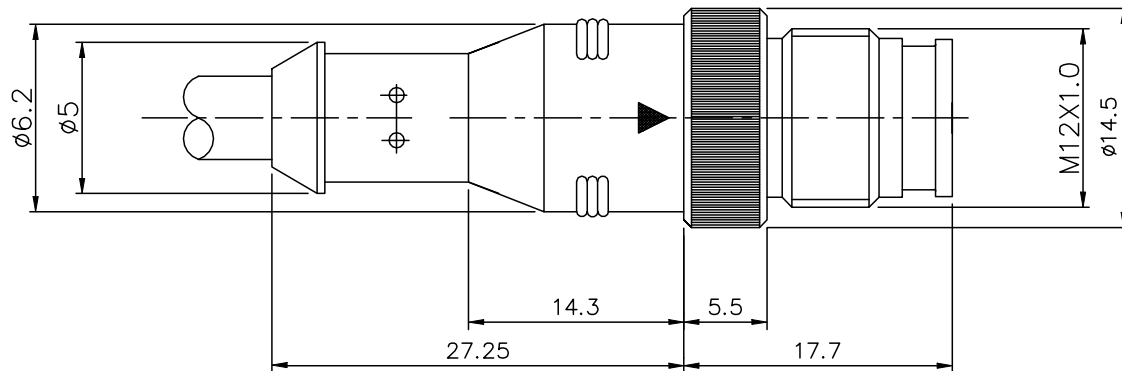
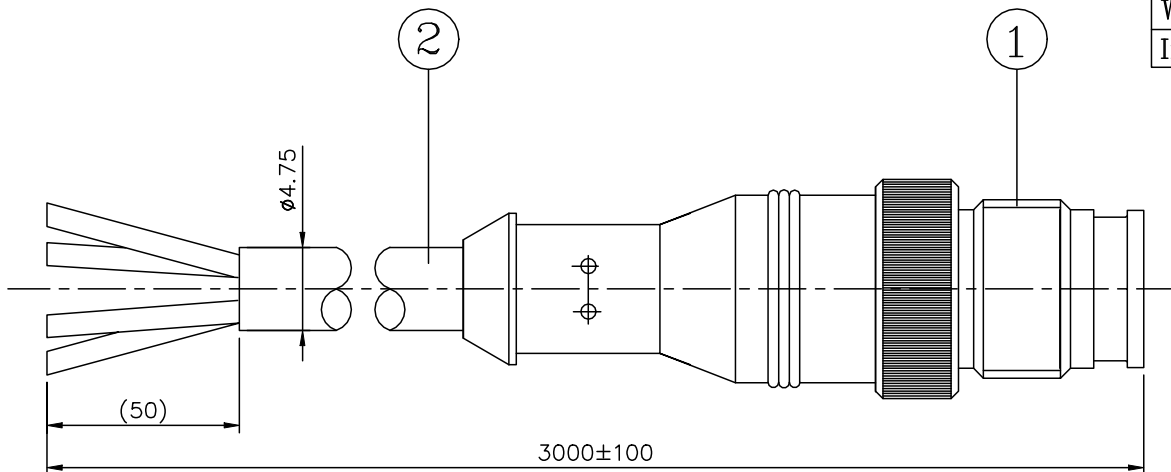


1		2		3		4		5		6		7		8	
THIS DRAWING AND THE DATA DISCLOSED HEREIN OR HEREWITH IS NOT TO BE REPRODUCED USED OR DISCLOSED IN WHOLE OR IN PART TO ANYONE WITHOUT THE PERMISSION OF JESS-LINK PRODUCTS CO.,LTD.(JPC)				CUSTOMER DRAWING				DRWC-XXXXXX		REV.	ECN NO.	DESCRIPTION	MDF'D	APP'D	DATE
										01		INITIAL DESIGN	Philip	Richard	12/14/2023
										02					
										03					

NO	PAT.NO	NAME	MATL	SHT	TREAT	REMARK
1	TNPM-624-PM-R	4 PIN CONNECTOR	_____	1	_____	_____
2	V#22B4C-R	CABLE	_____	3.1M	_____	UL 22AWG

Items	Electrical specifications
Rated current/voltage	AC/DC 5V-5mA min. AC/DC 125V-3A max.
Withstanding voltage	AC 300V(rms) for 1 minute
Insulation resistance	100MΩ min. at DC 500V

Contact No.	Cord color
1	BROWN
2	WHITE
3	BLUE
4	BLACK



ITEM	DESCRIPTION	Q'TY
2	CABLE , UL 22AWG	3.1M
1	4 PIN CONNECTOR	1 PCS

<b>RoHS COMPLIANT</b>	Unit:mm(inch)	PROJECTION	<b>ZCables.com</b>	
	GENERAL TOLERANCES: (UNLESS SPECIFIED)	D.R. 12/14/2023	TITLE	PD./FILE NO.
	0 =±1 (0.039)	Philip	M12 A Code Plug 4 Pin Male Contact	
	0.0 =±.5 (0.02)	CH.K 12/14/2023	To Open Cable 3M	
0.00 =±.3 (0.012)	Philip	SCALE	SIZE	PART NO.
0.000=±.15(0.006)	APV.D 12/14/2023	1:1	A4	PZBACP030-0001
0' =± 2'	Richard			REV. 01
0.0' =± 1'				SHEET 1 OF 1