

THIS DRAWING AND THE DATA DISCLOSED HEREIN OR HEREWITH IS NOT TO BE REPRODUCED USED OR DISCLOSED IN WHOLE OR IN PART TO ANYONE WITHOUT THE PERMISSION OF JESS-LINK PRODUCTS CO.,LTD.(JPC)

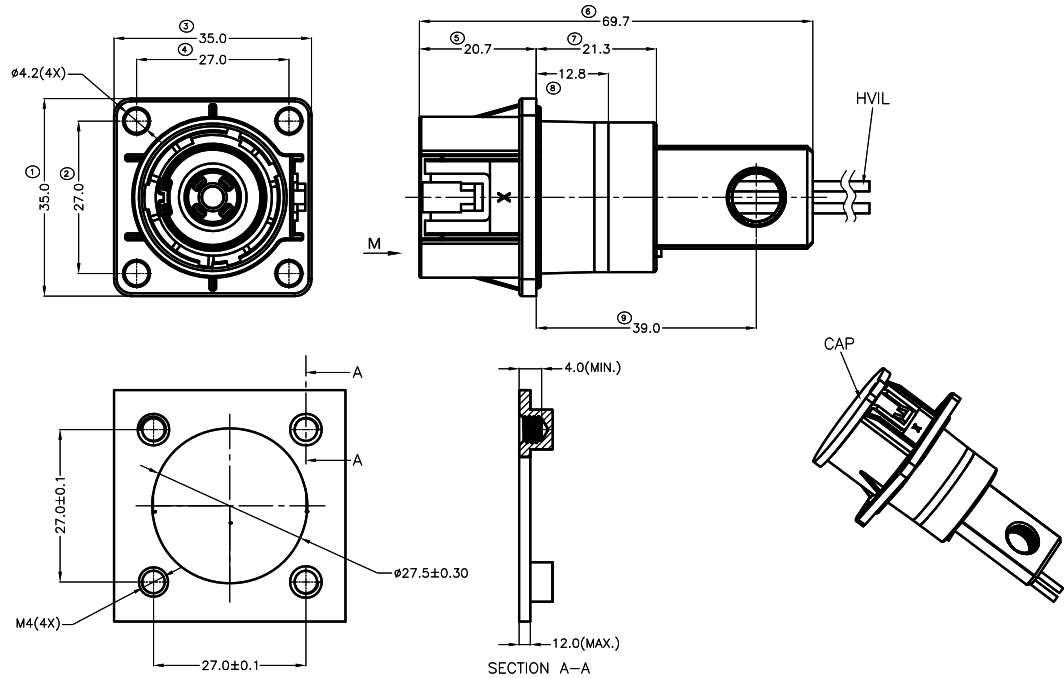
CUSTOMER DRAWING
DRWC-000560

REV.	ECN NO.	DESCRIPTION	MDF'D	APP'D	DATE
01		INITIAL DESIGN	Denghong	Richard	07/06/2023

Standard part List(WITH HVIL)
產品型號表(帶護鎖)

Standard part List(WITHOUT HVIL)
產品型號表(不帶護鎖)

Model No.	JPC No.	Polarization	Model No.	JPC No.	Polarization
TL00X-301-10D8	PCNTC113RC79-1	X	TL00X-300-10D8	PCNTC103RC79-1	X
TL00Y-301-10D8	PCNTC213RC79-1	Y	TL00Y-300-10D8	PCNTC203RC79-1	Y
TL00U-301-10D8	PCNTC313RC79-1	U	TL00U-300-10D8	PCNTC303RC79-1	U
TL00V-301-10D8	PCNTC413RC79-1	V	TL00V-300-10D8	PCNTC403RC79-1	V
TL00W-301-10D8	PCNTC513RC79-1	W	TL00W-300-10D8	PCNTC503RC79-1	W
TL00T-301-10D8	PCNTC613RC79-1	T	TL00T-300-10D8	PCNTC603RC79-1	T
TL00X-301-10M8	PCNTC111RC79-1	X	TL00X-300-10M8	PCNTC101RC79-1	X
TL00Y-301-10M8	PCNTC211RC79-1	Y	TL00Y-300-10M8	PCNTC201RC79-1	Y
TL00U-301-10M8	PCNTC311RC79-1	U	TL00U-300-10M8	PCNTC301RC79-1	U
TL00V-301-10M8	PCNTC411RC79-1	V	TL00V-300-10M8	PCNTC401RC79-1	V
TL00W-301-10M8	PCNTC511RC79-1	W	TL00W-300-10M8	PCNTC501RC79-1	W
TL00T-301-10M8	PCNTC611RC79-1	T	TL00T-300-10M8	PCNTC601RC79-1	T
TL00X-301-10D10	PCNTC114RC79-1	X	TL00X-300-10D10	PCNTC104RC79-1	X
TL00Y-301-10D10	PCNTC214RC79-1	Y	TL00Y-300-10D10	PCNTC204RC79-1	Y
TL00U-301-10D10	PCNTC314RC79-1	U	TL00U-300-10D10	PCNTC304RC79-1	U
TL00V-301-10D10	PCNTC414RC79-1	V	TL00V-300-10D10	PCNTC404RC79-1	V
TL00W-301-10D10	PCNTC514RC79-1	W	TL00W-300-10D10	PCNTC504RC79-1	W
TL00T-301-10D10	PCNTC614RC79-1	T	TL00T-300-10D10	PCNTC604RC79-1	T
TL00X-301-10M10	PCNTC112RC79-1	X	TL00X-300-10M10	PCNTC102RC79-1	X
TL00Y-301-10M10	PCNTC212RC79-1	Y	TL00Y-300-10M10	PCNTC202RC79-1	Y
TL00U-301-10M10	PCNTC312RC79-1	U	TL00U-300-10M10	PCNTC302RC79-1	U
TL00V-301-10M10	PCNTC412RC79-1	V	TL00V-300-10M10	PCNTC402RC79-1	V
TL00W-301-10M10	PCNTC512RC79-1	W	TL00W-300-10M10	PCNTC502RC79-1	W
TL00T-301-10M10	PCNTC612RC79-1	T	TL00T-300-10M10	PCNTC602RC79-1	T



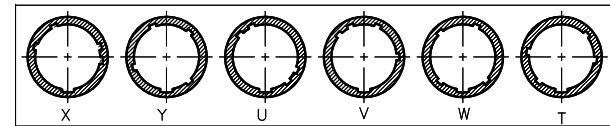
訂購信息 Ordering Information

TL00X-301-10 M10

鍵位及顏色 Key&Color "X" 橙色 Orange "Y" 黑色 Black "U" 黃色 Yellow "V" 綠色 Green "W" 紅色 Red "T" 藍色 Blue	高壓互鎖 HVIL 0,不帶互鎖 No HVIL 1,帶互鎖 With HVIL	端子類型 Type "10" 銅排 "20" 螺柱	接線孔類型&大小 Size M10 or D10 M8 or D8
----------------------------------------------------------------------------------------------------------------	------------------------------------------------	---------------------------------	-----------------------------------------

- NOTE :
- 1.工作温度 Operating temperature : -40°C ~ +125°C.
 - 2.带高压互锁 Electrical interlock (HVIL).
 - 3.额定电流 Current rating:Power:250A(Cross-sectional area is 70mm²);HVIL:5A;
200A(Cross-sectional area is 50mm²);HVIL:5A;
150A(Cross-sectional area is 35mm²);HVIL:5A;
 - 4.额定电压 Operating voltage:Power:1000 VDC;Signal:60 VDC.
 - 5.耐电压 Dielectric withstanding voltage:
A.与插头对插后, Pin与铁壳之间:After matting,between Pin and metal shell:5000 VDC.
B.与插头对插后, Pin与HVIL之间:After matting,between Pin and HVIL:5000 VDC.
C.与插头对插后, HVIL与铁壳之间:After matting,between HVIL and metal shell:500 VDC.
D.与插头对插前, 两个HVIL端子之间耐压:Before matting,between two HVIL :500 VDC.
 - 6.絕緣阻抗 Insulation resistance : 500MΩ Min.
 - 7.防护等级 Protection class:IP67 & IP2X.
 - 8.电磁屏蔽 Shielding.
 - 9.机械寿命 Mating cycle:500 Min.
 - 10.带自动二次锁扣 Automatic secondary lock.
 - 11.铜排推荐安装扭矩 Recommended Fasten Torque on lug:
M6: 3.6 ~ 4.4 Nm M8: 7.2 ~ 8.8 Nm M10: 17.1 ~ 20.9 Nm
 - 12.推荐法兰盘螺丝安装扭矩 Recommended Screw Assembly Torque on Flange : 1.6 ~ 2.4 Nm
 - 13.配对插头 Mating plug:See drawing "PCNTC112RC78-1".

M方向鍵位示意圖



RoHS COMPLIANT HALOGEN FREE	Unit : mm	PROJECTION	ZCables.com	
	GENERAL TOLERANCES: (UNLESS SPECIFIED)	D.R. 07/06/2023 Denghong	TITLE	PD./FILE NO.
	0 = ±.50 0.0 = ±.25 0.00 = ±.15 0.000 = ±.05 0' = ±.2' 0.0' = ±.1'	CH.K	TL 300 Receptacle_銅排	C20C0018A
		APV.D	SCALE 1:1 SIZE A4	PART NO. PCNTC113RC79-1 REV. 01 SHEET 1 OF 1