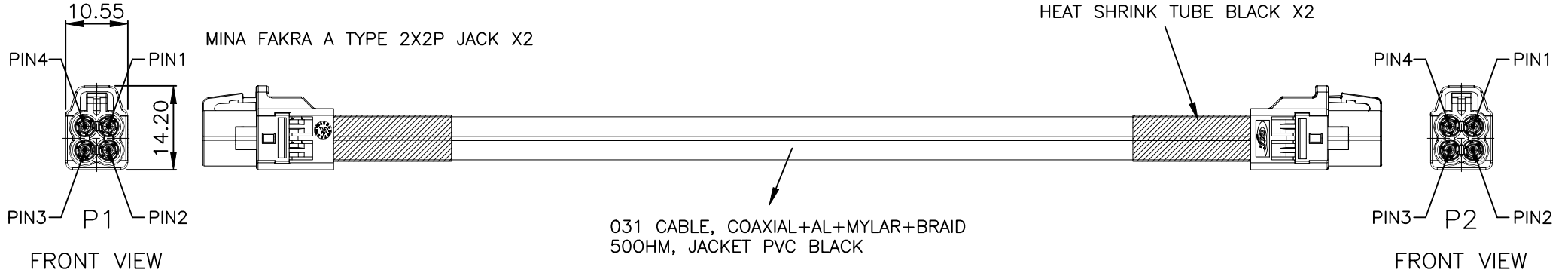


THIS DRAWING AND THE DATA DISCLOSED HEREIN OR HEREWITH IS NOT TO BE REPRODUCED USED OR DISCLOSED IN WHOLE OR IN PART TO ANYONE WITHOUT THE PERMISSION OF JESS-LINK PRODUCTS CO.,LTD.(JPC)

CUSTOMER DRAWING
DRWC-XXXXXX

REV.	ECN NO.	DESCRIPTION	MDF'D	APP'D	DATE
01		INITIAL DESIGN	Philip	Richard	07/06/2023
02					
03					



NOTES:

MATERIAL:
CONNECTOR: MINA FAKRA A TYPE 2X2P JACK
MATERIAL: THERMOPLASTIC UL94V-0 30u" GOLD

ELECTRONIC:
IMPEDANCE: 50Ω

ENVIRONMENTAL:
OPERATING TEMPERATURE RANGE: -40°C TO 105°C

TESTING CONDITION:
CONDUCTIVE RESISTANCE 2 Ohm Max.
INSULATION RESISTANCE 20M Ohm Min
WITH DC200V DURING 0.05second.
100% OPEN, SHORT MISWITED TEST

TABLE A

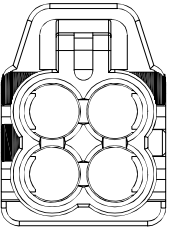
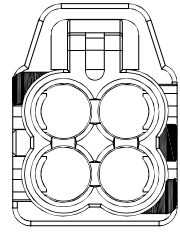
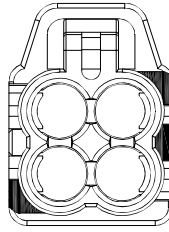
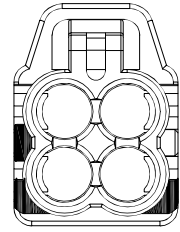
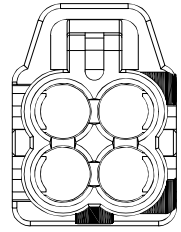
JPC P/N	Length(mm)
PZBNHR020-0002	2000±20

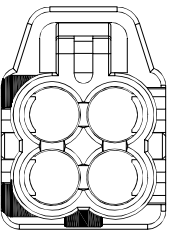
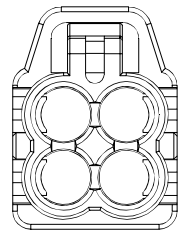
RoHS COMPLIANT	Unit:mm(inch)	PROJECTION 	ZCables.com	
	GENERAL TOLERANCES: (UNLESS SPECIFIED)			
	0 =±1 (0.039)		CH.K 07/06/2023 Philip	PD./FILE NO.
	0.0 =±.5 (0.02)		APV.D 07/06/2023 Richard	REV. 01
0.000 =±.3 (0.012)			SHEET 1 OF 2	
0.000 =±.15(0.006)		SCALE 1:1	SIZE A4	PART NO. PZBNHR0XX-0002
0 =± 2'				
0.0 =± 1'				

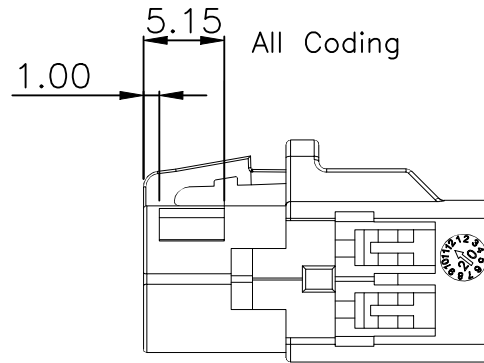
THIS DRAWING AND THE DATA DISCLOSED HEREIN OR HEREWITH IS NOT TO BE REPRODUCED USED OR DISCLOSED IN WHOLE OR IN PART TO ANYONE WITHOUT THE PERMISSION OF JESS-LINK PRODUCTS CO.,LTD.(JPC)

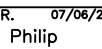
CUSTOMER DRAWING
DRWC-XXXXXX

REV.	ECN NO.	DESCRIPTION	MDF'D	APP'D	DATE
01		INITIAL DESIGN	Philip	Richard	07/06/2023
02					
03					

CODING A	CODING B	CODING C	CODING D	CODING E
Black (sim.9005)	Pure White (sim.9010)	Black (sim.9005)	Claret Violet (sim.4004)	May Green (sim.6017)
				

CODING F	CODING Z
Nut Brown (sim.8011)	Water Blue (sim.5021)
	



REHS COMPLIANT	Unit:mm(inch)	PROJECTION 	ZCables.com	
	GENERAL TOLERANCES: (UNLESS SPECIFIED)	D.R. 07/06/2023 Philip	TITLE	PD./FILE NO.
	0 =±1 (0.039)	CH.K 07/06/2023 Philip	Mini Fakra 2X2 A Type Jack Cable	
	0.0 =±.5 (0.02)	APV.D 07/06/2023 Richard	SCALE	REV. 01
0.000=±.3 (0.012)		1:1	SHEET 2 OF 2	
0 =± 2'		SIZE		
0.0 =± 1'		A4		
		PART NO.		
		PZBNHROXX-0002		