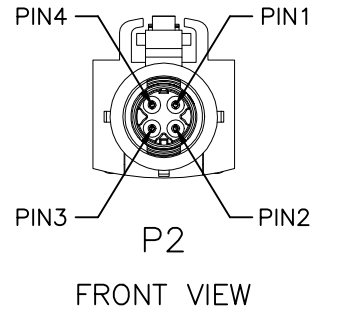
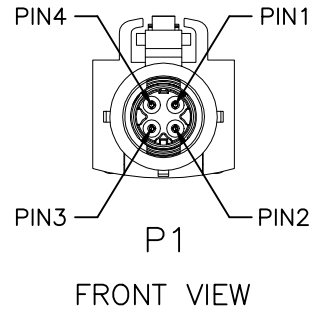
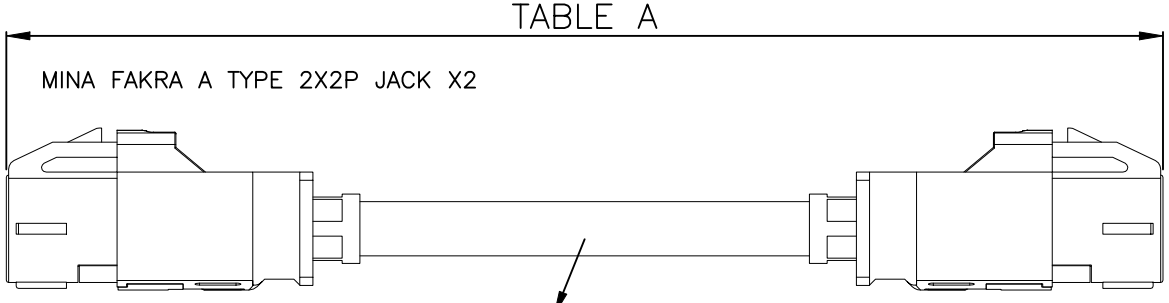


THIS DRAWING AND THE DATA DISCLOSED HEREIN OR HEREWITH IS NOT TO BE REPRODUCED USED OR DISCLOSED IN WHOLE OR IN PART TO ANYONE WITHOUT THE PERMISSION OF JESS-LINK PRODUCTS CO.,LTD.(JPC)

CUSTOMER DRAWING  
DRWC-XXXXXX

REV.	ECN NO.	DESCRIPTION	MDF'D	APP'D	DATE
01		INITIAL DESIGN	Philip	Richard	07/06/2023
02					
03					



26AWG 4C+AL+B, O.D:4.6MM, JACKET: TPU BLACK

WIRE LIST

P1		P2
PIN1	BLUE	PIN4
PIN2	ORANGE	PIN3
PIN3	GREEN	PIN2
PIN4	BROWN	PIN1
Shell		Shell

NOTES:  
 MATERIAL:  
 CONNECTOR: FAKRA HSD STRIGHTA TYPE JACK  
 MATERIAL: INSULATOR PBT, COLOR WATER BLUE  
 SHELL: BRASS/PHOSPHOR BRONZE  
 CRIMP CONTACT PLATING: 6U" GOLD  
 ELECTRONIC:  
 IMPEDANCE: 100±10Ω  
 INSULATION RESISTANCE: 1000MΩ FOR CONNECTOR  
 ENVIRONMENTAL:  
 OPERATING TEMPERATURE RANGE: -40°C TO 105°C  
 TESTING CONDITION:  
 CONDUCTIVE RESISTANCE 2 Ohm Max.  
 INSULATION RESISTANCE 20M Ohm Min  
 WITH DC200V DURING 0.05second.  
 100% OPEN, SHORT MISWITED TEST

TABLE A

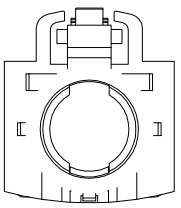
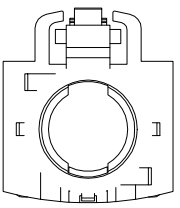
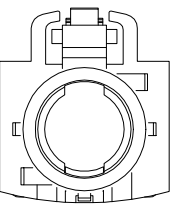
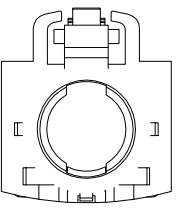
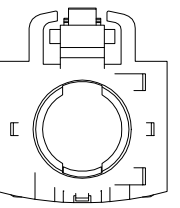
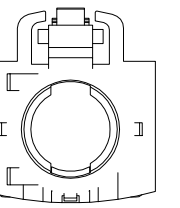
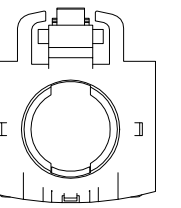
JPC P/N	Length(mm)
PZBNHR020-0003	2000±20

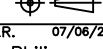
REHS COMPLIANT	Unit:mm(inch)	PROJECTION 	ZCables.com		
	GENERAL TOLERANCES: (UNLESS SPECIFIED)	D.R. 07/06/2023 Philip			TITLE Fakra HSD(Z) 4Pin Stright Jack Cable
	0 =±1 (0.039) 0.0 =±.5 (0.02) 0.00 =±.3 (0.012) 0.000=±.15(0.006)	CH.K 07/06/2023 Philip	SCALE	SIZE	PART NO.
	0° =± 2° 0.0° =± 1°	APV.D 07/06/2023 Richard	1:1	A4	PZBNHR0XX-0003
				REV. 01	
				SHEET 1 OF 2	

THIS DRAWING AND THE DATA DISCLOSED HEREIN OR HEREWITH IS NOT TO BE REPRODUCED USED OR DISCLOSED IN WHOLE OR IN PART TO ANYONE WITHOUT THE PERMISSION OF JESS-LINK PRODUCTS CO.,LTD.(JPC)

CUSTOMER DRAWING  
DRWC-XXXXXX

REV.	ECN NO.	DESCRIPTION	MDF'D	APP'D	DATE
01		INITIAL DESIGN	Philip	Richard	07/06/2023
02					
03					

Coding	A	B	C	D	E	F	Z
Plug							
Color	Black	White	Blue	Bordeaux	Green	Brown	Waterblue
RAL	sim.9005	sim.9001	sim.5005	sim.4004	sim.6002	sim.8001	sim.5021

<b>ReHS COMPLIANT</b>	Unit:mm(inch)	PROJECTION 	<b>ZCables.com</b>	
	GENERAL TOLERANCES: (UNLESS SPECIFIED)	D.R. 07/06/2023 Philip	TITLE	PD./FILE NO.
	0 =±1 (0.039) 0.0 =±.5 (0.02) 0.00 =±.3 (0.012) 0.000=±.15(0.006)	CH.K 07/06/2023 Philip	Fakra HSD(Z) 4Pin Stright Jack Cable	
	0 =± 2' 0.0 =± 1'	APV.D 07/06/2023 Richard	SCALE 1:1 SIZE A4	PART NO. PZBNHROXX-0003 REV. 01 SHEET 2 OF 2